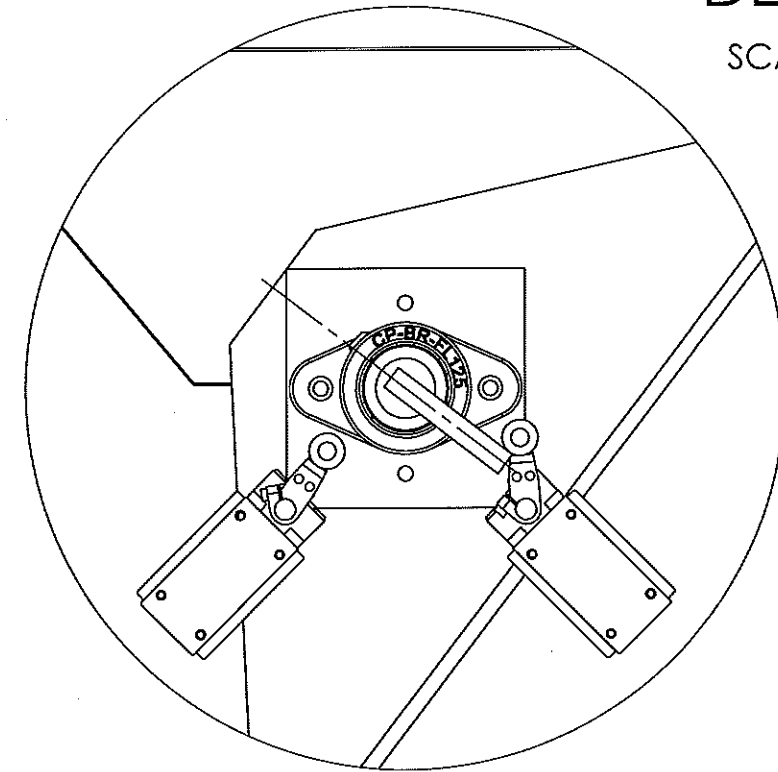


**DETAIL A**  
SCALE 1 : 4



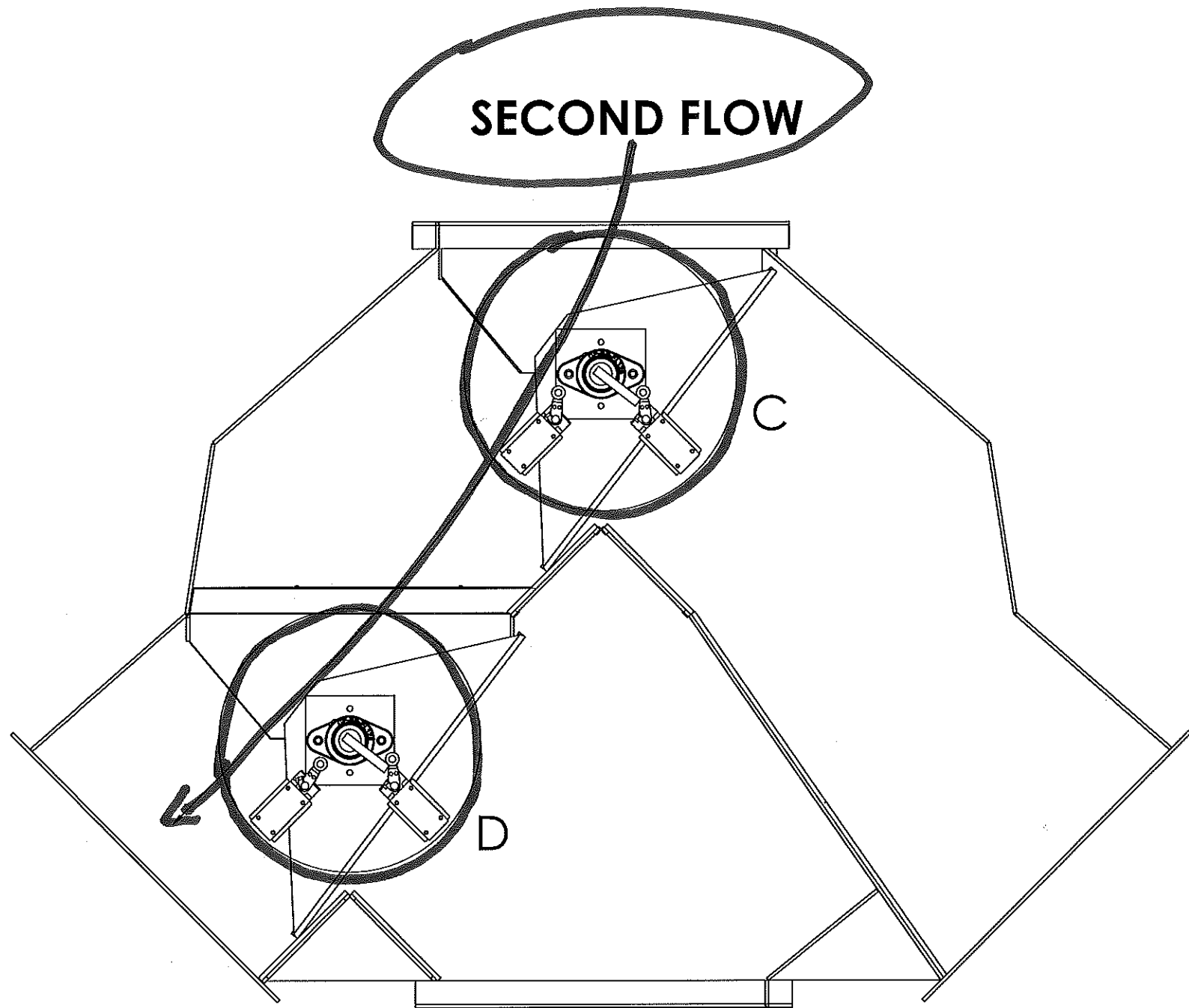
**DETAIL B**  
SCALE 1 : 4

**PART NO.:**  
3P-PT1807-06-B

PROPRIETARY AND CONFIDENTIAL	DIMENSIONS ARE IN INCHES FRACTIONAL $\pm 1/16$ ANGULAR: MACH $\pm .5^\circ$ BEND $\pm 2^\circ$ TWO PLACE DECIMAL $\pm .010$ THREE PLACE DECIMAL $\pm .005$	PART NAME: PART DESCRIPTION:	ASSEM NO. 3 PAN FLOW DIAGRAM	
	MATERIAL:		DATE SAVED	Friday, September 8, 2017 1:46:56 PM
WEIGHT:			3P-P1807-06-B	

8 7 6 5 4 3 2 1

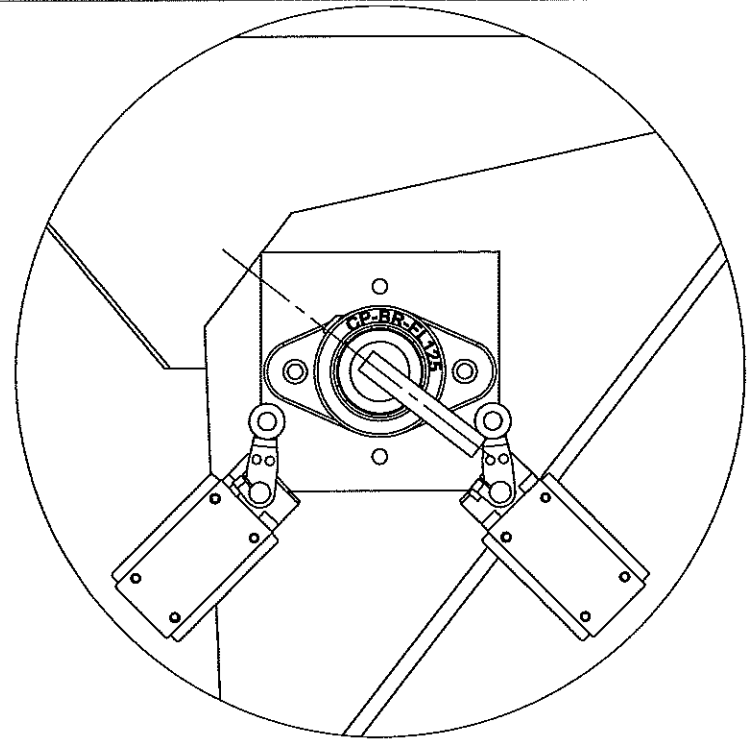
D  
C  
B  
A



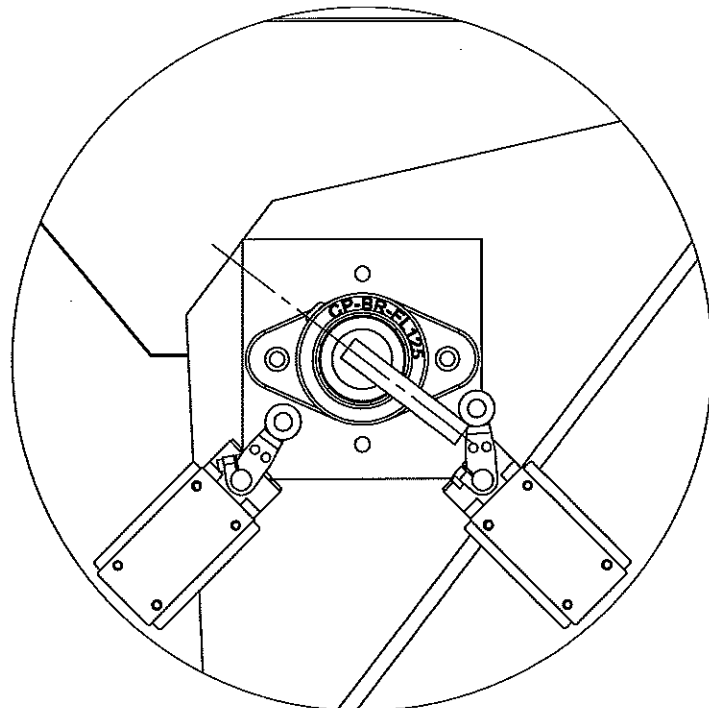
**SECOND FLOW**

C

D



**DETAIL C**  
SCALE 1 : 4



**DETAIL D**  
SCALE 1 : 4

**PART NO.:**  
3P-P1807-06-B

PROPRIETARY AND CONFIDENTIAL DIMENSIONS ARE IN INCHES FRACTIONAL ± 1/16 ANGULAR: MATCH ± 5° BEND ± 2° TWO PLACE DECIMAL ± .010 THREE PLACE DECIMAL ± .005	<b>PART NAME:</b> PART DESCRIPTION:	<b>ASSEM NO.</b> 3 PAN FLOW DIAGRAM
	<b>MATERIAL:</b>  <b>WEIGHT:</b>	

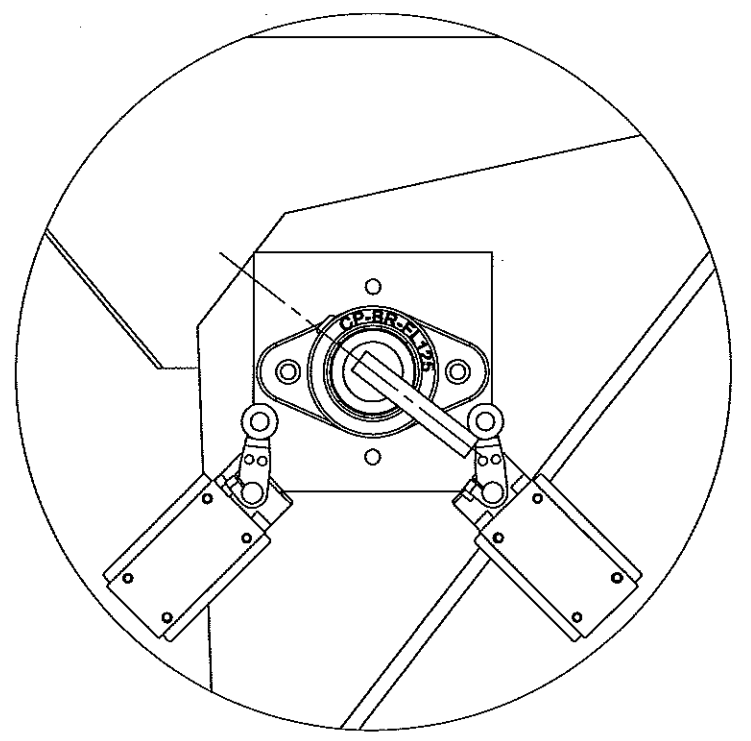
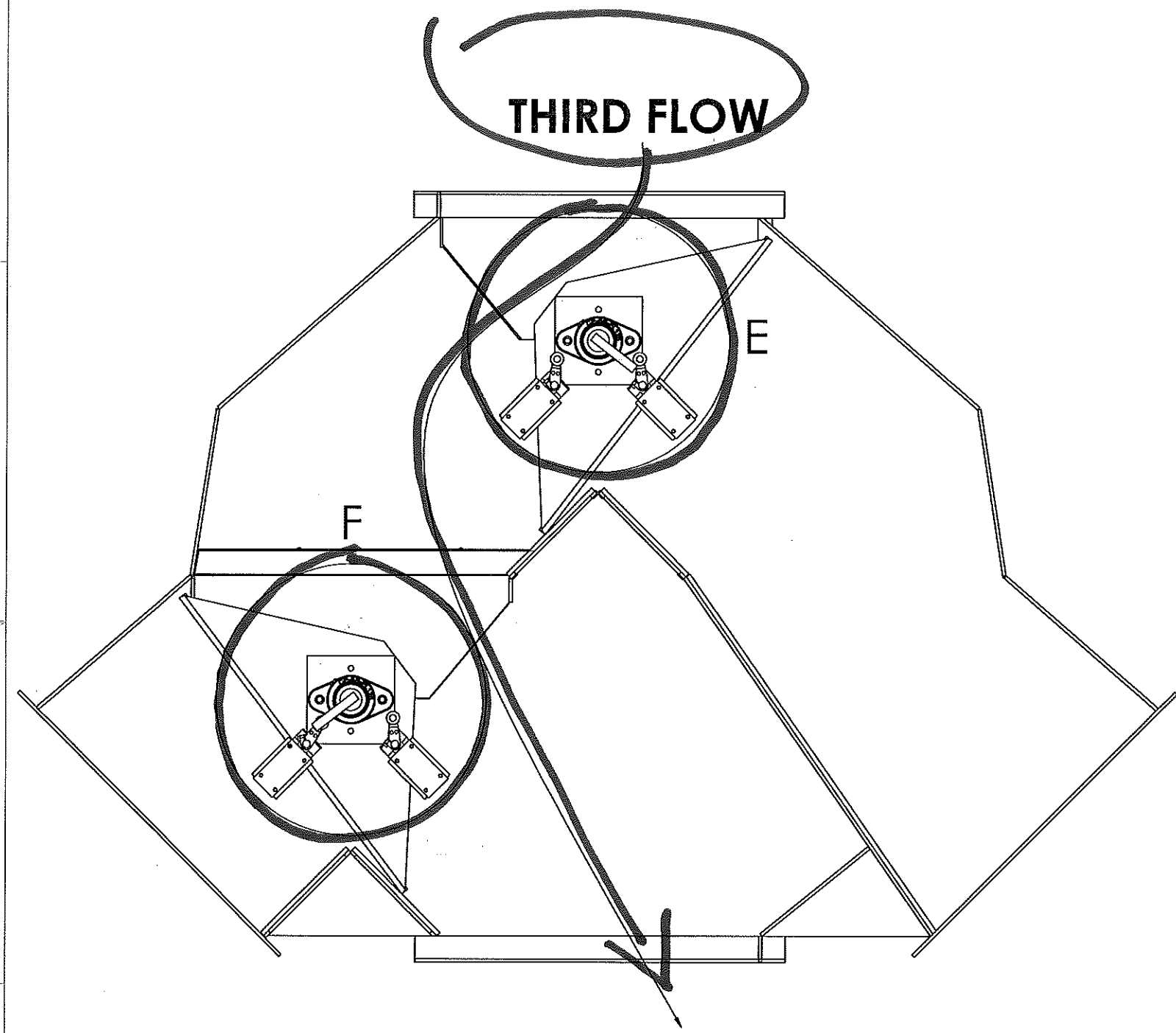
8 7 6 5 4

8 7 6 5 4 3 2 1

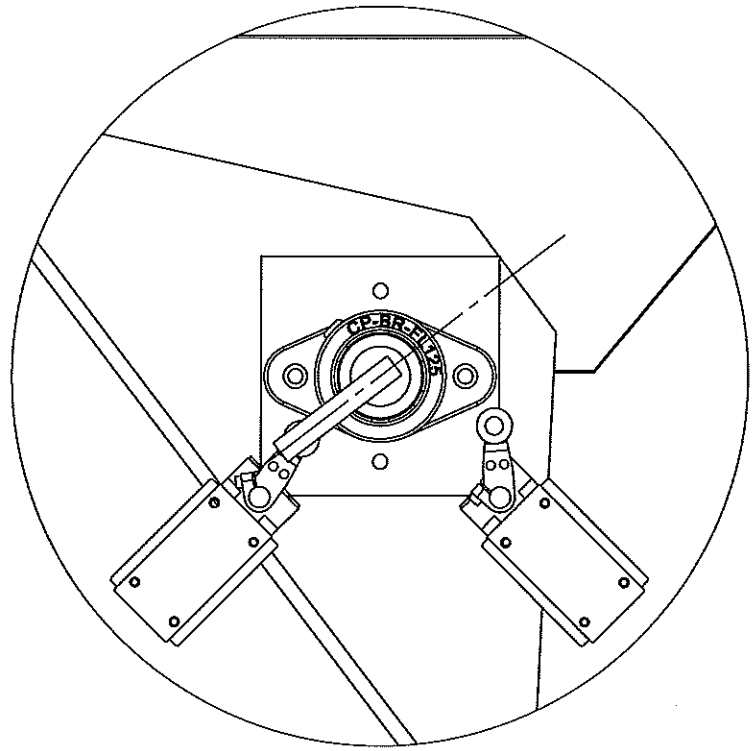
D  
C  
B  
A

D  
C  
B  
A

**THIRD FLOW**



**DETAIL E**  
SCALE 1 : 4



**DETAIL F**  
SCALE 1 : 4

**PART NO.:**  
3P-PT807-06-B

PROPRIETARY AND CONFIDENTIAL	DIMENSIONS ARE IN INCHES FRACTIONAL ± 1/16 ANGULAR: MACH ± .5° BEND ± 2° TWO PLACE DECIMAL ± .010 THREE PLACE DECIMAL ± .005	PART NAME:	ASSEM NO. 3 PAN FLOW DIAGRAM
	MATERIAL:	PART DESCRIPTION:	
WEIGHT:			DATE SAVED Friday, September 8, 2017 1:46:56 PM