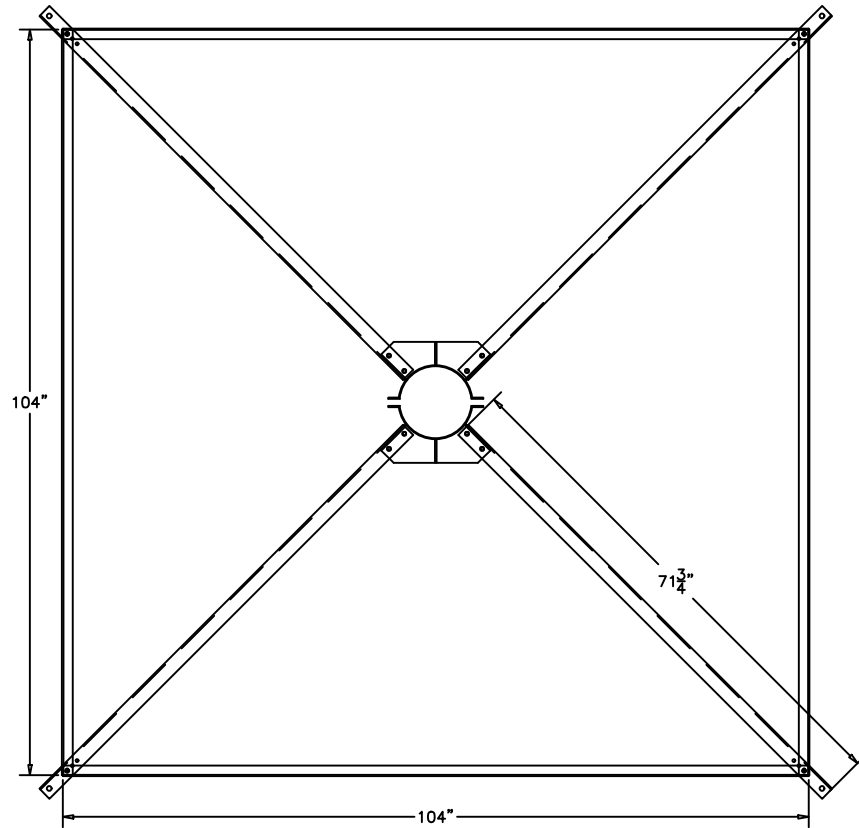
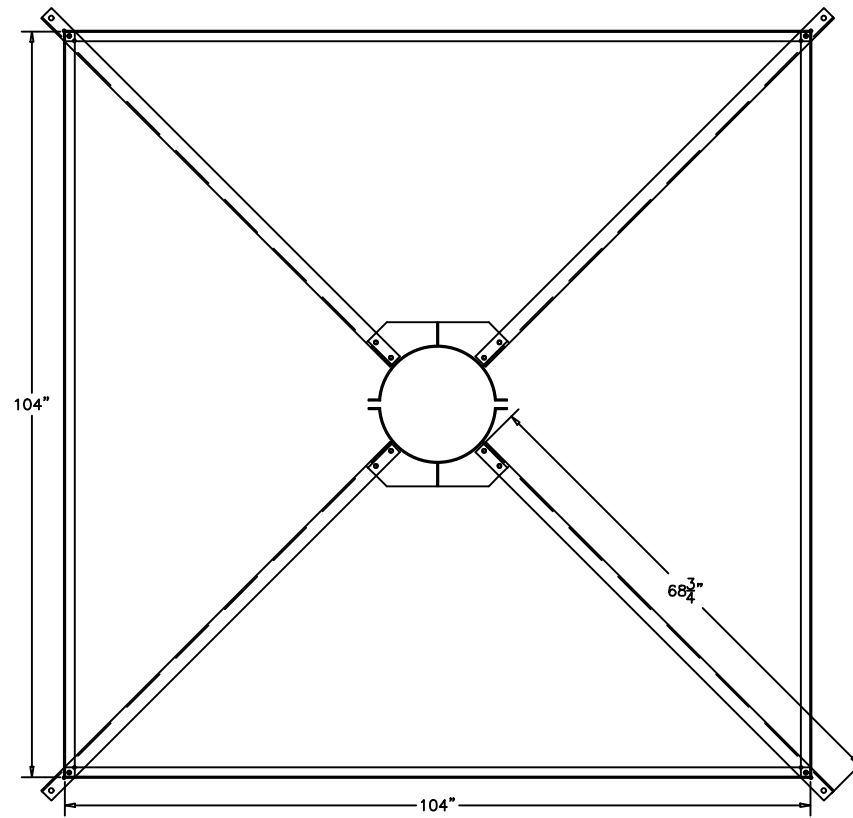


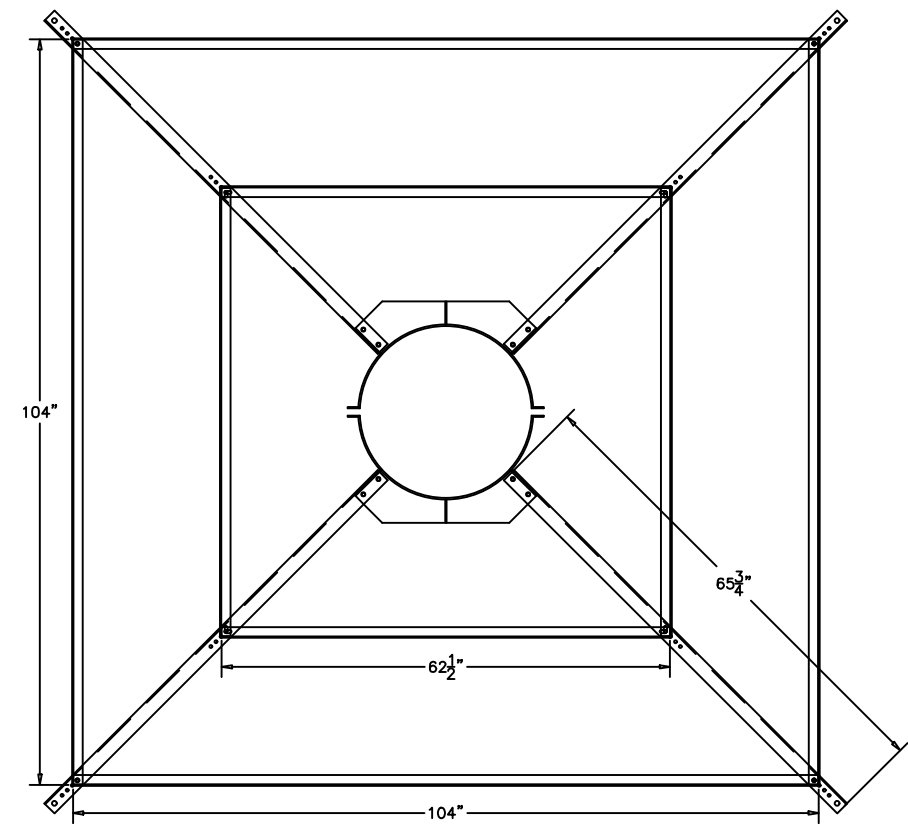
6"-10"



12"-16"



18"-24"



**PREMIER**  
**COMPONENTS, INC.**  
 "Your #1 Source for Mill Accessories"  
 3984 W. Monroe Rd. (M46)  
 Alma, MI 48801  
 Ph: 877-681-3064  
[www.premier-com.com](http://www.premier-com.com)

LARGE STAR ASSEMBLIES

DATE: 5-18-2017  
 DRAWN BY: D.B.  
 REV. NO.

PROPERTY OF  
 PREMIER STEEL FAB.

CONFIDENTIAL - THIS DRAWING IS THE PROPERTY OF WILSON FAB. AND MACHINE. AND TRANSMITTED IN CONFIDENCE. THE REPRODUCTION, USE, OR DISCLOSURE, IN WHOLE OR IN PART, OF THE DESIGN OR DETAILS CONTAINED HEREIN IS PROHIBITED WITHOUT THE WRITTEN PERMISSION OF WILSON FAB. AND MACHINE.