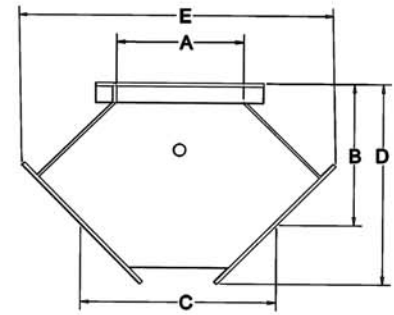


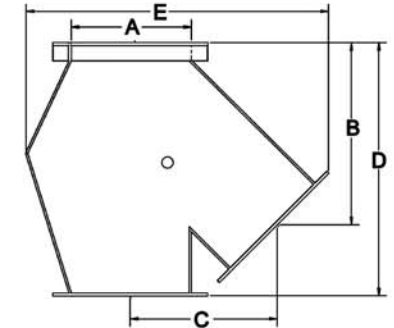
**PREMIUM Y-TYPE PAN VALVES**

SIZE	A	B	C	D	E
6"	6-1/8"	5-1/8"	7-1/8"	8-3/16"	13-7/32"
8"	8-1/8"	7-7/8"	11-7/8"	11-5/8"	19-3/8"
10"	10-1/8"	9-7/8"	15-1/2"	14-5/16"	24-7/16"
12"	12-1/8"	10-1/16"	13-3/4"	15-7/16"	24-7/16"
14"	14-1/8"	11-1/32"	15-9/16"	17-1/16"	27-11/16"
16"	16-1/8"	13-1/4"	18-5/8"	20"	32-1/8"
18"	18-1/8"	13-5/8"	23-1/8"	21-1/8"	38-1/32"
20"	20-1/8"	16-1/16"	26-11/32"	24-1/4"	42-11/16"
24"	24-1/8"	18"	28-3/8"	27-9/16"	47-9/16"



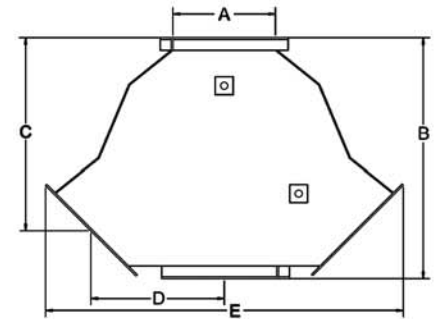
**PREMIUM K-TYPE PAN VALVES**

SIZE	A	B	C	D	E
6"	6-1/8"	10"	7-1/2"	13-15/16"	16-1/32"
8"	8-1/8"	14-3/16"	9-29/32"	18-27/32"	20-1/2"
10"	10-1/8"	15-5/8"	12-13/32"	21-5/16"	25-1/16"
12"	12-1/8"	19-9/16"	15-11/16"	25-3/4"	31"
14"	14-1/8"	22-1/8"	17-1/2"	29-3/8"	35"
16"	16-1/8"	25-1/8"	20-1/8"	33-1/2"	39-13/16"
18"	18-1/8"	28-1/8"	22-3/4"	37-3/4"	44-3/8"
20"	20-1/8"	31-1/4"	25-1/2"	41-7/8"	49-3/4"
24"	24-1/8"	37-3/8"	30-3/4"	50-1/8"	59-13/16"



**PREMIUM 3-WAY PAN VALVES**

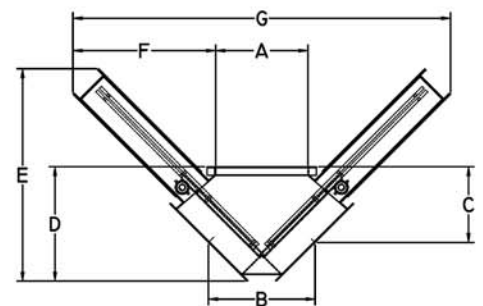
SIZE	A	B	C	D	E
6"	6-1/8"	17-7/16"	14-5/32"	8-1/4"	22-7/16"
8"	8-1/8"	23-1/2"	19-1/2"	13-15/32"	34-7/16"
10"	10-1/8"	26-29/32"	22-7/32"	17-1/8"	43-5/32"
12"	12-1/8"	28-7/16"	22-25/32"	15-7/8"	42-11/32"
14"	14-1/8"	31-25/32"	26-3/8"	18-7/16"	49"
16"	16-1/8"	37-21/32"	30-19/32"	20-7/8"	55-1/4"
18"	18-1/8"	43-13/16"	36-3/32"	25-7/16"	66-15/16"
20"	20-1/8"	44-1/4"	36-9/32"	26-25/32"	70-31/32"
24"	24-1/8"	56-13/16"	46-15/16"	31-3/4"	83-3/16"



**Y-TYPE GATE VALVES**

SIZE	A	B	C	D	E	F	G
12"	12-1/8"	15-7/16"	10-15/16"	16-5/16"	29-1/16"	19-9/16"	51-5/16"
14"	14-1/8"	16-1/2"	12-27/32"	18-11/16"	31-1/16"	20-3/16"	54-17/32"
16"	16-1/8"	18-5/8"	13-1/4"	20-1/32"	37-1/16"	24-15/16"	65-3/4"
18"	18-1/8"	23-1/8"	18-21/32"	26-15/32"	39-3/4"	28-3/4"	75-21/32"
20"	20-1/8"	24-31/32"	18-5/32"	26-11/32"	42-17/32"	28-9/32"	76-11/16"
24"	24-1/8"	31-3/16"	26-1/32"	35-19/32"	49-15/16"	36-17/32"	97-1/8"
30"	30-1/8"	36-1/8"	26-3/4"	38-13/16"	60-3/4"	39-11/16"	109-9/16"
36"	36-1/8"	42-1/8"	29-3/8"	42-3/8"	67-3/8"	46-1/2"	129"

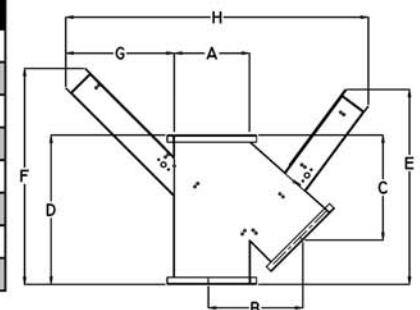
E, F and G dimensions may vary depending on the drive set up.



**K-TYPE GATE VALVES**

SIZE	A	B	C	D	E	F	G	H
12"	12-1/8"	15-9/16"	19-9/16"	26-1/4"	35-5/8"	40-9/16"	23-1/4"	60-1/4"
14"	14-1/8"	17"	22-11/16"	29-1/8"	36-15/32"	43-3/4"	24-27/32"	67-11/32"
16"	16-1/8"	19-1/2"	22-1/2"	32"	44-1/2"	50-1/32"	26-13/32"	70-1/16"
18"	18-1/8"	22-13/16"	27-3/4"	38-11/16"	49-1/32"	55-15/16"	28-1/4"	80-3/16"
20"	20-1/8"	24-17/32"	33-31/32"	44-1/2"	50-7/8"	59-1/4"	30-7/32"	85-7/32"
24"	24-1/8"	28-15/32"	38-13/16"	49-1/2"	55-15/16"	70-23/32"	37-25/32"	107-3/8"
30"	30-1/8"	33"	43-1/8"	55-5/8"	63-5/8"	81-11/16"	44-1/16"	103-1/16"
36"	36-1/8"	36-1/2"	47-7/8"	62-7/8"	71"	87-1/2"	46-5/8"	134"

E, F, G and H dimensions may vary depending on the drive set up.



**ALL DIMENSIONS ARE SUBJECT TO CHANGE.**

**PLEASE CONTACT PREMIER COMPONENTS WITH ANY DIMENSIONAL INQUIRIES.**