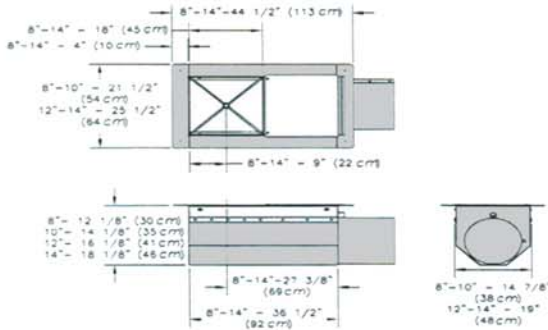


COMMERCIAL BIN WELLS

All bin wells are constructed of heavy gauge painted material and furnished with heavy full gates that operate on rollers. Rack & pinion openers are available for center and intermediate wells.

CENTER BIN WELLS

SIZE	WT.	PRICE
8"	116	★
10"	127	★
12"	140	★
14"	162	★

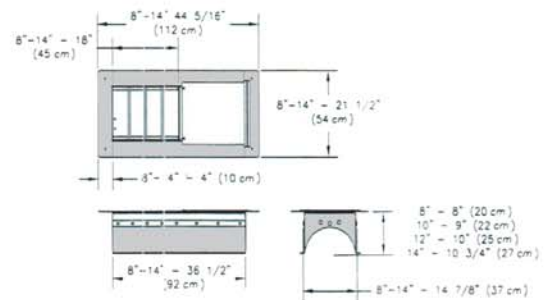


CONTROL PIPE KITS FOR COMMERCIAL BIN WELLS

BIN DIA	WT.	PRICE
24'	37	★
27'	38	★
30'	40	★
33'-34'	43	★
36'	56	★
37'-39'	60	★
40'	61	★
42'	64	★
48'-49'	73	★
54'-55'	82	★
60'	92	★
63'	96	★
68'-69'	99	★
72'	102	★
75'	106	★
78'	111	★
80'	113	★
82'	116	★
90'	123	★
92'	150	★
105'	171	★
113'	208	★
120'	217	★

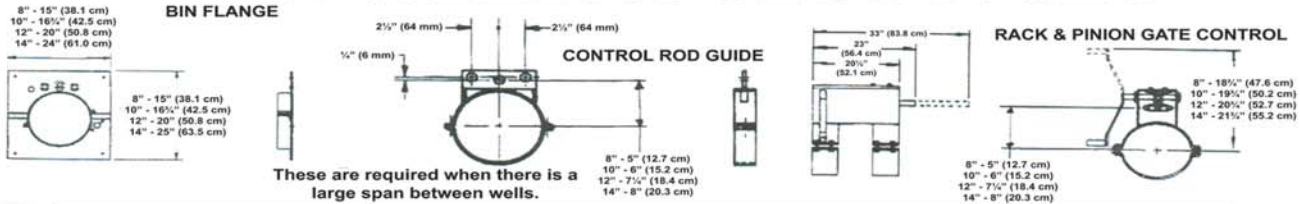
INTERMEDIATE BIN WELLS

SIZE	WT.	PRICE
8"	81	★
10"	83	★
12"	100	★
14"	107	★



Standard control pipe kit construction has one 1/2" pipe to the center well only. An additional 1/2" pipe on each side of the center gate pull allows individual control of intermediate wells. Each kit may be used on 8", 10" or 12" systems and includes the pipe necessary to control the gates as indicated.

BIN WELL ACCESSORIES



These are required when there is a large span between wells.

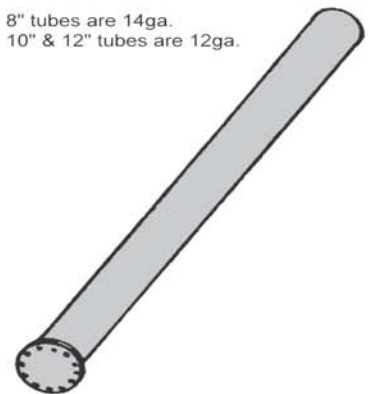
ACCESSORY DESCRIPTION	8"		10"		12"		14"	
	WT.	PRICE	WT.	PRICE	WT.	PRICE	WT.	PRICE
BIN FLANGE	5	★	7	★	8	★	10	★
R & P -18" STROKE	36	★	37	★	38	★	42	★
CTRL ROD GUIDE	3	★	3	★	4	★	6	★

COMMERCIAL UNLOADING TUBES

BIN DIA	LENGTH	# WELLS	8"		10"		12"	
			WT.	PRICE	WT.	PRICE	WT.	PRICE
24'	12'-9"	2	89	★	152	★	186	★
27'	14'-3"	2	99	★	169	★	207	★
30'	15'-9"	2	109	★	186	★	228	★
33'-34'	17'-9"	2	122	★	209	★	255	★
36'	18'-9"	3	129	★	221	★	269	★
37'-39'	20'-3"	3	139	★	238	★	290	★
40'	20'-9"	3	142	★	244	★	297	★
42'	21'-9"	4	149	★	255	★	310	★
48'-49'	25'-3"	4	172	★	295	★	358	★
54'-55'	28'-3"	4	192	★	330	★	400	★
60'	30'-9"	4	227	★	398	★	473	★
63'	32'-3"	4	237	★	408	★	493	★
68'-69'	35'-3"	4	257	★	442	★	535	★
72'	36'-9"	4	267	★	460	★	556	★
75'	38'-3"	4	277	★	477	★	576	★
78'	39'-9"	4	287	★	494	★	597	★
80'	40'-9"	4	n/a	n/a	505	★	611	★
82'	41'-9"	4	n/a	n/a	534	★	645	★
90'	45'-9"	4	n/a	n/a	562	★	680	★
92'	46'-9"	5	n/a	n/a	574	★	694	★
105'	53'-3"	5	n/a	n/a	n/a	n/a	783	★
113'	57'-3"	6	n/a	n/a	n/a	n/a	840	★
120'	60'-9"	6	n/a	n/a	n/a	n/a	926	★

All unloading tubes are constructed of galvanized material and come flanged with caps

8" tubes are 14ga.
10" & 12" tubes are 12ga.



14" COMMERCIAL BIN UNLOAD KITS

Kits include unloading tube, flight, center well, intermediate wells, rack & pinion control for well gates, connecting pipes, and bin flange.

BIN DIA	# WELLS	LENGTH	BIN CTR TO FLANGE	PRICE
36"	3	18'-9"	21'-0"	★
42"	3	21'-9"	24'-0"	★
48"	4	24'-9"	27'-0"	★
54"	4	27'-9"	30'-0"	★
60"	4	30'-9"	33'-0"	★
72"	5	36'-9"	39'-0"	★
75"	5	38'-9"	41'-0"	★
78"	5	39'-9"	42'-0"	★
90"	6	45'-9"	48'-0"	★
92"	6	46'-9"	49'-0"	★

14" COMMERCIAL POWER HEADS

DESCRIPTION	PRICE
Reducer drive, 3-belt, bins 36'-72'	★
Reducer drive, 4-belt, bins 75'-92'	★

