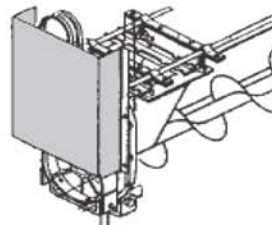


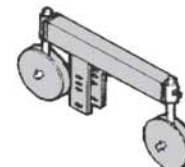
COMMERCIAL KLEAN SWEEP REPLACEMENT HEAD DRIVE w/OIL BATH REDUCTION

Description	# Belts	Price
68 Commercial Sweep 2-:1 Chain Reduction Oil Bath	2	⊕
810 Commercial Sweep 2:1 Chain Reduction Oil Bath	2	⊕
1012 Commercial Sweep 3:1 Chain Reduction Oil Bath	2	⊕
1214 Commercial Sweep 3:1 Chain Reduction Oil Bath	3	⊕
1214 Commercial Sweep 5:1 Gear Reduction 80' - 120' Bin Dia.	3	⊕



SWEEP CARRIER

Description	Wt.	Price
Used on 810 Series w/splice plate shield connection	50	⊕
Used on 1012 Series w/splice plate shield connection	65	⊕

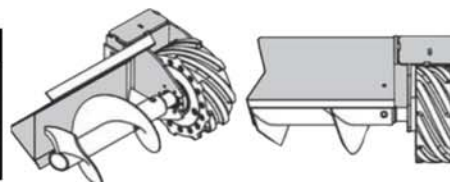


REPLACEMENT UHMW WHEELS FOR SWEEPS

Description	Price
7" O.D. For 68 CKS UHMW Wheel (For Sweeps w/ Threaded Shafts)	⊕
9" O.D. For 810 CKS UHMW Wheel (For Sweeps w/ Threaded Shafts)	⊕
11" O.D. For 1012 CKS UHMW Wheel (For Sweeps w/ Threaded Shafts)	⊕

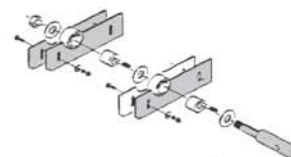
REDUCTION SWEEP WHEELS- RETROFIT KITS

Description	Price
8" Cycloidal end wheel for flanged end shields	⊕
8" Cycloidal end wheel for non-flanged end shields	⊕
10" Cycloidal end wheel for flanged end shields	⊕
10" Cycloidal end wheel for non-flanged end shields	⊕



SWEEP WALKER

Description	Price
Sweep Walker for 68 series Commercial Klean Sweep	⊕
Sweep Walker for 810 series Commercial Klean Sweep	⊕
Sweep Walker for 1012 Commercial Klean Sweep	⊕



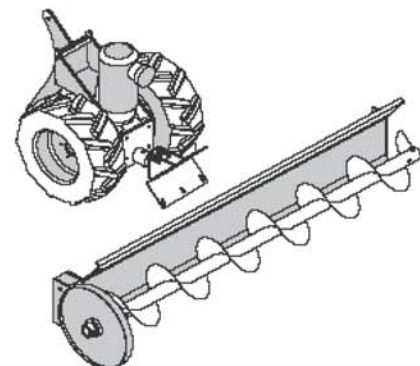
Tractors are driven by a gear motor separate from the Clean Sweep drive and can be operated from a separate control.

TRACTOR FOR 1012 SERIES SWEEPS

Description	Price
Single Phase TEFC Motor	⊕
Single Phase Explosion Proof Motor	N/A
Three Phase 208-230/460 Volt Motor	⊕
Three Phase 208-230/460 Volt Explosion Proof Motor	⊕
Three Phase 575 Volt TEFC Motor	⊕

TRACTOR FOR 1214 SERIES SWEEPS

Description	Price
Single Phase TEFC Motor	⊕
Single Phase Explosion Proof Motor	N/A
Three Phase 208-230/460 Volt Motor	⊕
Three Phase 208-230/460 Volt Explosion Proof Motor	⊕
Three Phase 575 Volt TEFC Motor	⊕



All Series 1012 Sweeps and Series 1214 36'-59' tractors do not include weights. Two tractor weights are included with 60'-80' bin sweeps and four tractor weights are included with 88'-120' bin sweeps.

SWEEP TRACTOR WEIGHTS

Description	Price
50 lb Cast Iron Weight	⊕

WEIGHT STANDS (REQUIRED FOR ADDING ADDITIONAL WEIGHT)

Description	Weight	Price
Weight Stand & 2 weights - Prior to April 2005	131	⊕
Weight Stand & 2 weights - Prior to April 2001	136	⊕

1012 SERIES TRACTOR OPTIONS - ADD PRICE TO STANDARD SWEEP

Single Phase TEFC Motor	⊕
Single Phase Explosion Proof Motor	N/A
Three Phase 208-230/460 Volt TEFC Motor	⊕
Three Phase 208-230/460 Volt Explosion Proof Motor	⊕
Three Phase 575 Volt TEFC Motor	⊕

1214 SERIES TRACTOR OPTIONS - ADD PRICE TO STANDARD SWEEP

Single Phase TEFC Motor	⊕
Single Phase Explosion Proof Motor	N/A
Three Phase 208-230/460 Volt TEFC Motor	N/A
Three Phase 208-230/460 Volt Explosion Proof Motor	⊕
Three Phase 575 Volt TEFC Motor	⊕

KLEAN SWEEP ACCESSORIES

