

CUSTOM AUGERS - DISTRIBUTING AUGERS

CUSTOM AUGERS MAY BE ORDERED IN ANY LENGTH REQUIRED. Unless specified, the length ordered is regarded to as the flight length (the housing will be one foot shorter than this). If a 21' unit is ordered, the housing will be 20' long and the flight will extend one foot past the end of the housing.

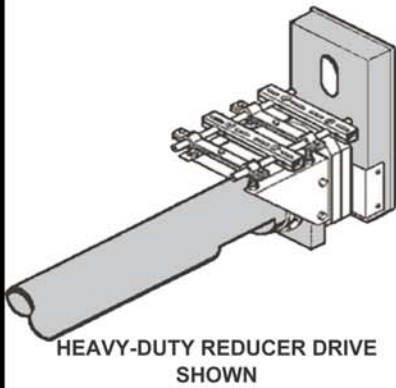
Options: Reduced Pitch Flighting can be added to the intake end of the flight (2' length is standard).
Internal Bearings used at 10' intervals on units run at low capacity or with intermediate drops.

CUSTOM BUILT DISTRIBUTING AUGERS

Auger Size	Custom Type	Galvanized Housing Size	Flight Thickness	Flight Shaft Size	Stub Size	Wt. lbs/ft	Price/ft		2' Reduced Pitch Flight at intake	Internal Bearing (installed)	Internal Bearing (loose)
6"	Standard Duty	6" x 16ga.	11ga.	1.25" Tube X 12ga.	1"	6.5	⊛	12ga. Galv. Housing + ⊛/ft	⊛ add	⊛ each	⊛ each
	Medium Duty	6" x 16ga.	7ga.	1.25" Tube X 12ga.	1"	7	⊛				
	Heavy Duty	6" x 16ga.	7ga.	1.9" O.D.	1"	8	⊛				
8"	Standard Duty	8" x 14ga.	7ga.	1.9" O.D.	1 1/4"	10.5	⊛		⊛ add	⊛ each	⊛ each
	Heavy Duty	8" x 14ga.	1/4"	1.9" O.D.	1 1/4"	12	⊛				
	Heavy Duty	8" x 12ga.	1/4"	1.9" O.D.	1 1/4"	14.5	⊛				
10"	Standard Duty	10" x 12ga.	7ga.	2.375" O.D.	1 1/2"	16.5	⊛		⊛ add	⊛ each	⊛ each
	Heavy Duty	10" x 12ga.	1/4"	2.375" O.D.	1 1/4"	18	⊛				
12"	Standard Duty	12" x 12ga.	7ga.	2.875" O.D.	2"	24	⊛	10ga. Galv. Housing + ⊛/ft	⊛ add	⊛ each	⊛ each
	Medium Duty	12" x 12ga.	1/4"	2.875" O.D.	2"	29	⊛				
	Heavy Duty	12" x 12ga.	3/8"	2.875" O.D.	2"	31	⊛				
14"	Standard Duty	14" x 12ga.	1/4"	3.5" O.D.	2"	36	⊛		⊛ add	⊛ each	⊛ each
	Heavy Duty	14" x 12ga.	3/8"	3.5" O.D.	2"	36	⊛				

CUSTOM BUILT DISTRIBUTING AUGER DRIVES

Selection will depend on application and speed requirements. Drives are mounted at discharge end unless specified at intake end. Drives include head plate with bearing or reduction unit, driven pulley, belts and belt guard. Driven pulleys not supplied.



Auger Size	Drive Type	# of Belts	HP Rating	Required Driver Pulley	Driven Pulley	Flight RPM	Wt. lbs	Price
6"	Standard Duty	1	3 HP	3"	12.0" O.D.	438	37	N/A
	Standard Duty	2	5 HP	3"	12.0" O.D.	438	40	⊛
	Standard Duty	3	7 1/2 HP	3"	12.0" O.D.	438	43	⊛
	Standard Duty	2	5 HP	3"	15.0" O.D.	350	50	⊛
	Standard Duty	3	7 1/2 HP	3"	15.0" O.D.	350	52	⊛
	Heavy Duty	2	5 HP	3"	15.0" O.D.	350	66	⊛
	Heavy Duty	3	10 HP	3"	15.0" O.D.	350	70	⊛
	Heavy Duty	2	5 HP	3"	18.4" P.D.	279	72	⊛
	Heavy Duty	3	10 HP	3"	18.4" P.D.	279	76	⊛
	HD 2:1 Chain	2	7 1/2 HP	3.5"	15.0" O.D.	204	122	N/A
HD 2:1 Chain	3	10 HP	3.5"	15.0" O.D.	204	123	⊛	
8"	Standard Duty	2	5 HP	3.4" P.D.	15.0" O.D.	443	57	⊛
	Standard Duty	3	10 HP	3.4" P.D.	15.0" O.D.	443	60	⊛
	Heavy Duty	2	5 HP	3.4" P.D.	15.0" O.D.	443	76	⊛
	Heavy Duty	3	10 HP	3.4" P.D.	15.0" O.D.	443	78	⊛
	Heavy Duty	2	5 HP	3.4" P.D.	18.4" P.D.	323	82	⊛
	Heavy Duty	3	10 HP	3.4" P.D.	18.4" P.D.	323	84	⊛
	HD 3:1 Chain	2	10 HP	5.0" O.D.	12.0" O.D.	243	128	⊛
	HD 3:1 Chain	3	15 HP	5.0" O.D.	12.0" O.D.	243	129	⊛
	HD 3:1 Chain	3	10 HP	3.5" O.D.	12.0" O.D.	170	128	⊛
	HD 3:1 Chain	3	10 HP	3.5" O.D.	15.0" O.D.	170	129	⊛
10"	Heavy Duty	2	5 HP	3.0" O.D.	15.0" O.D.	350	104	⊛
	Heavy Duty	3	10 HP	3.0" O.D.	15.0" O.D.	350	107	⊛
	Heavy Duty	4	15 HP	3.4" P.D.	15.4" P.D.	386	135	⊛
	Heavy Duty	2	5 HP	3.0" O.D.	18.4" P.D.	280	104	⊛
	Heavy Duty	3	10 HP	3.0" O.D.	18.4" P.D.	280	114	⊛
	HD 3:1 Chain	2	10 HP	5.0" O.D.	12.0" O.D.	243	127	⊛
	HD 3:1 Chain	3	15 HP	5.0" O.D.	12.0" O.D.	243	128	⊛
	HD 3:1 Chain	2	5 HP	3.5" O.D.	12.0" O.D.	170	127	N/A
	HD 3:1 Chain	3	10 HP	3.5" O.D.	12.0" O.D.	170	128	⊛
	HD 3:1 Chain	2	5 HP	3.5" O.D.	15.0" O.D.	136	131	N/A
12"	Heavy Duty	2	5 HP	3.0" O.D.	15.0" O.D.	350	104	⊛
	Heavy Duty	3	10 HP	3.0" O.D.	15.0" O.D.	350	107	⊛
	HD 3:1 Chain	2	10 HP	5.0" O.D.	12.0" O.D.	243	126	⊛
	HD 3:1 Chain	3	15 HP	5.0" O.D.	12.0" O.D.	243	127	⊛
	HD 3:1 Chain	2	5 HP	3.5" O.D.	12.0" O.D.	170	126	N/A
	HD 3:1 Chain	3	10 HP	3.5" O.D.	12.0" O.D.	170	127	⊛
	HD 3:1 Chain	2	5 HP	3.5" O.D.	15.0" O.D.	136	130	N/A
	HD 3:1 Chain	3	10 HP	3.5" O.D.	15.0" O.D.	136	131	⊛
	HD Reducer 4:1	3	15 HP	5.0" O.D.	7.4" P.D.	280	217	N/A
	HD Reducer 4:1	4	20 HP	5.0" O.D.	7.4" O.D.	280	222	⊛
14"	HD Reducer 4:1	2	7.5 - 10 HP	5.0" P.D.	11.0" P.D.	280	192	N/A
	HD Reducer 4:1	3	15 - 20 HP	5.0" P.D.	11.0" P.D.	280	195	⊛
	HD Reducer 4:1	4	25 - 30 HP	5.0" P.D.	11.0" P.D.	280	200	N/A