

GRAIN GAUGE MODEL 7600 INTRODUCTION

GRAIN GAUGE allows you to monitor the level of grain or material in your bin - day and night - while remaining safely on the ground without having to climb. GRAIN GAUGE is easy to install and requires no electricity.

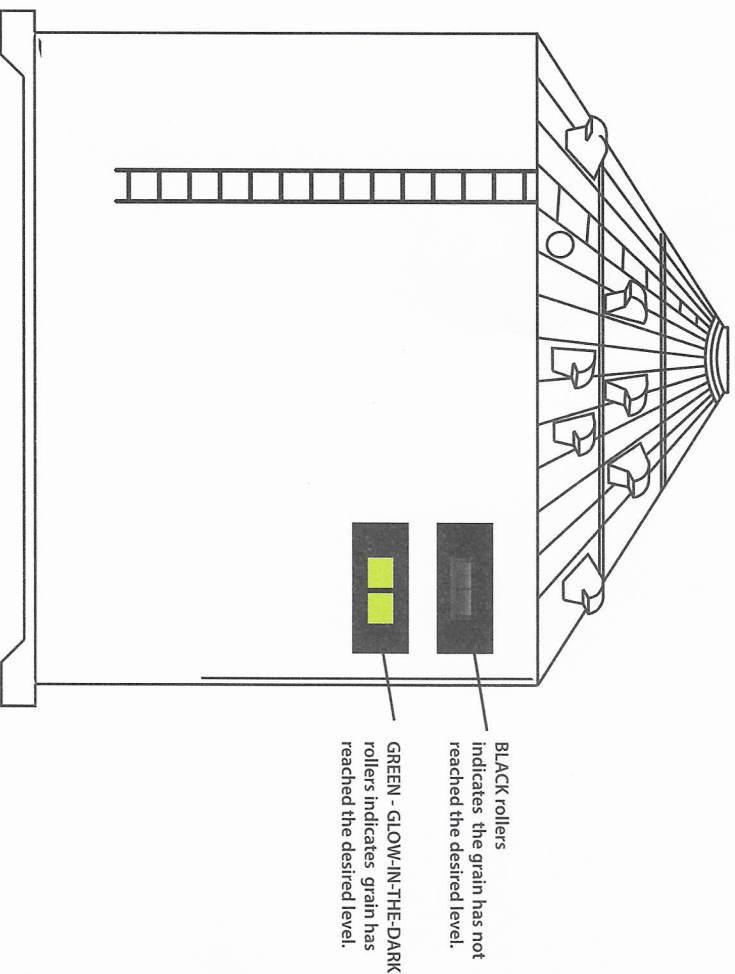
HOW IT WORKS

Once the material reaches the desired level of the installed GRAIN GAUGE on your bin, the roller portion of the gauge will turn from black to a bright green. The bright green will also glow in the dark at night time. As the material is emptied from your bin and recedes below the GRAIN GAUGE, the roller will automatically change to black.

INSTALLATION LOCATION

The GRAIN GAUGE was designed to be installed along the vertical wall section of the bin. Multiple gauges may be installed at desired levels on the grain bin.

Do not install on a sloped location or near areas of obstruction. Only install the GRAIN GAUGE through the in-curve on corrugated bin walls.



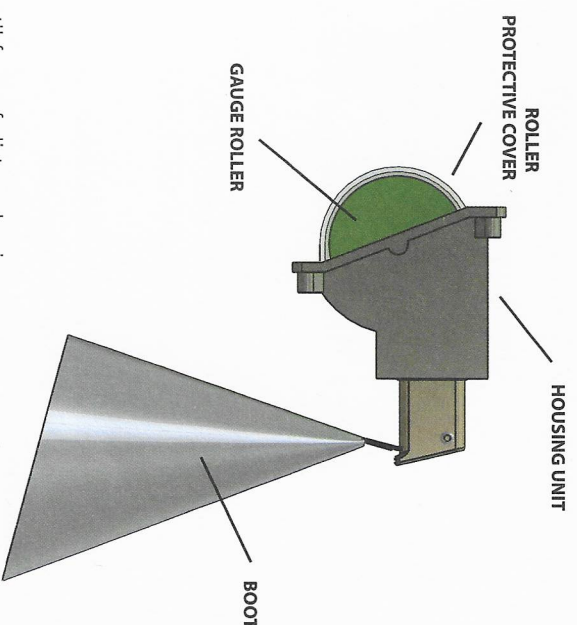
GRAIN GAUGE MODEL 7600 COMPONENTS

Contents (one of each):

- Grain Gauge
- Bin Wall Sticker
- (2) Screws

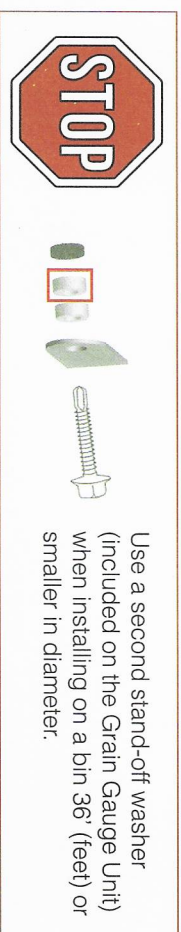
Items You Will Need:

- Center Punch
- Hammer
- Power Drill
- 1 1/4" dia. Holesaw
- Round Metal File
- Socket Driver



INSTRUCTIONS

1. Clean outside wall of bin until free of dirt and grime.
2. Place rectangle sticker at desired location. Sticker should be placed horizontally.
3. Using a hammer and center punch, locate all three points.
4. Next drill the center located punch mark using the 1 1/4" holesaw.
5. File hole to remove sharp edges. Remember to remove any loose pieces of metal shavings from bin floor.
6. Fold GRAIN GAUGE boot into tubular shape and push through the hole until foam gasket is flush against the bin wall.
7. Fasten the GRAIN GAUGE body to the bin wall by driving the 2 self-drilling screws into the bin wall until tightened.



IMPORTANT SAFETY PRECAUTIONS



Secure ladder and use a safety line.
Wear safety goggles while operating drill.