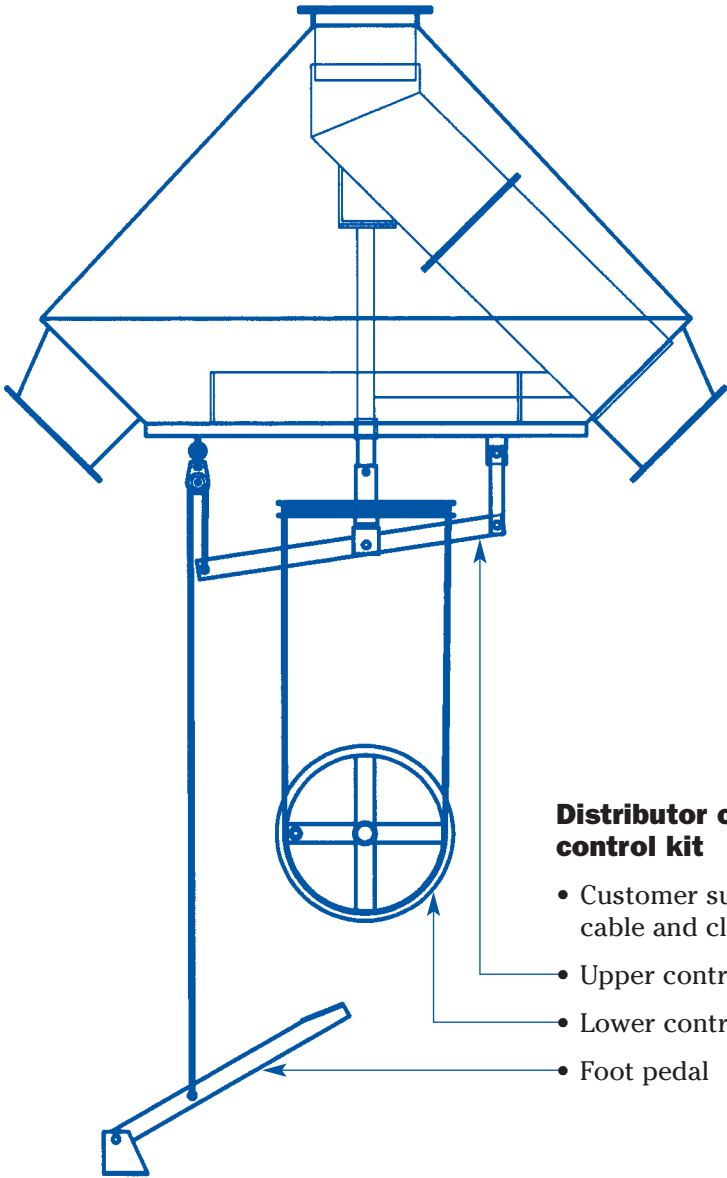
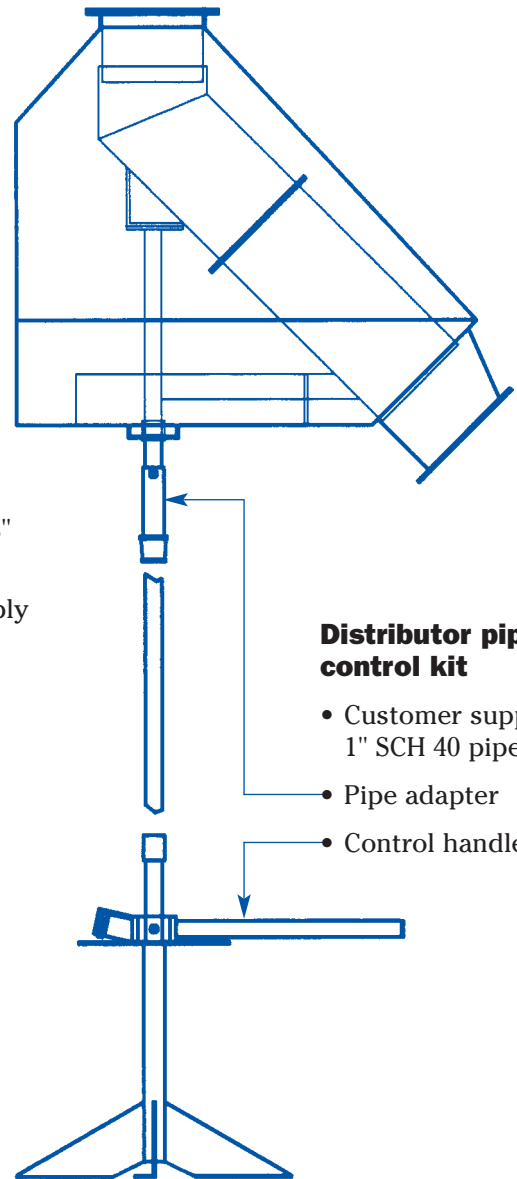


**MANUAL CONTROLS**



**Distributor cable control kit**

- Customer supplies  $\frac{3}{16}$ " cable and clamps
- Upper control assembly
- Lower control wheel
- Foot pedal



**Distributor pipe control kit**

- Customer supplies 1" SCH 40 pipe
- Pipe adapter
- Control handle