



**FEATURES**

- Non-rotating drive rod
- Non-backdriving
- All metal gearing
- Compact with electric mechanical repeatability
- Simple to mount; easy to wire
- Comparable cost to pneumatic or hydraulic systems
- Equivalent in size to hydraulic or pneumatic cylinders
- Operating range -40°F to +150°F

**ANDCO EAGLE MODEL 3100 ACME SCREW LINEAR ACTUATORS**

STROKE LENGTH	115VAC, 1PH	230VAC, 3PH	460VAC, 3PH	575VAC, 3PH
UP TO 6"	☺	☺	☺	☺
UP TO 12"	☺	☺	☺	☺
UP TO 18"	☺	☺	☺	☺
UP TO 24"	☺	☺	☺	☺
UP TO 30"	☺	☺	☺	☺
UP TO 36"	☺	☺	☺	☺

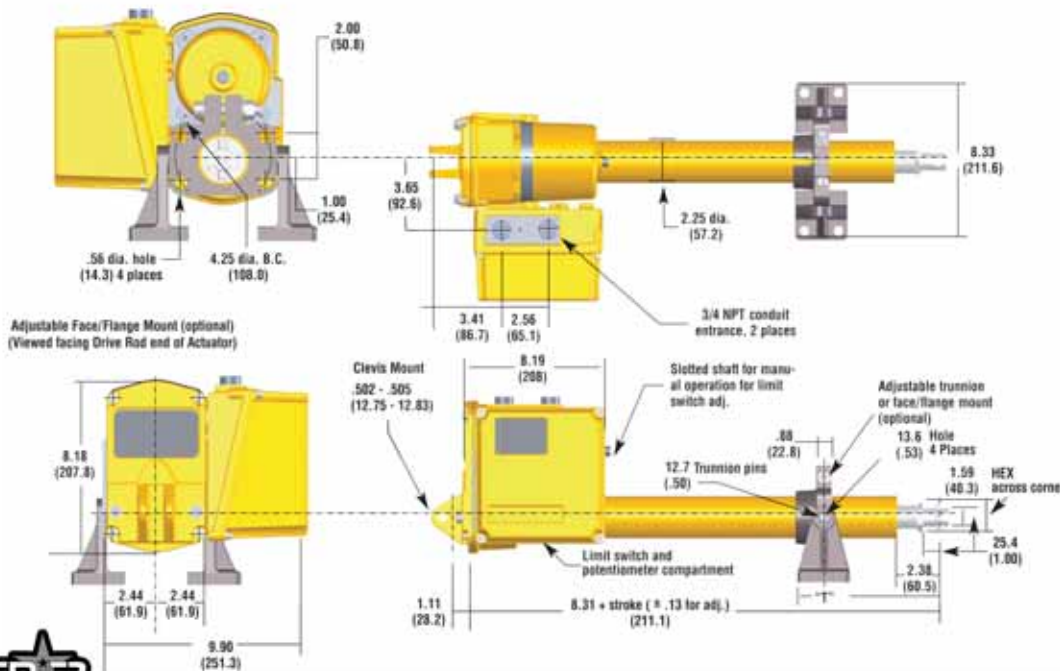
STANDARD EQUIPMENT INCLUDES THE FOLLOWING FEATURES: CLASS B INSULATION, DUST IGNITION PROOF ENCLOSURE (NEMA 9, CLASS II, DIVISION 1, GROUPS E, F & G), (NOTE: A DUST-IGNITION PROOF ACTUATOR IS ALSO WEATHERPROOF), DOUBLE PULL / DOUBLE THROW LIMIT SWITCHES (DPDT), CLEVIS AND PIN (DRIVE ROD END) & CLEVIS MOUNT (MOTOR END)

OPTIONAL EQUIPMENT		PRICE ADDER
MOUNTING	ADJUSTABLE TRUNNION MOUNT	☺
	ADJUSTABLE FACE/FLANGE MOUNT	☺
MOUNTING BRACKETS	TRUNNION MOUNTING BRACKETS (PAIR)	☺
	CLEVIS SWIVEL BRACKET (MOTOR END)	☺
OVERSIZED ROD END CLEVIS		☺
FEEDBACK: POTENTIOMETER (0-1000 OHM)		☺
LIMIT SWITCH COMPT HEATER (120VAC, 20w)		☺
ROD COVER	6" - 12"	☺
	18" - 24"	☺
	30" - 36"	☺
MOTOR CONTROLS: MINI REVERSING CONTACTOR FOR USE WITH 3PH UNITS		☺
MANUAL OVER-RIDE HANDWHEEL		☺

ALL OF THE ABOVE OPTIONS/EQUIPMENT ARE FACTORY-INSTALLED PRICING.

**THE BELOW OPTIONS / EQUIPMENT ARE FIELD-INSTALLED PRICING (FOR EXISTING ANDCO UNITS)**

EAGLE FACE / FLANGE MOUNT KIT	☺
FEEDBACK: POTENTIOMETER (0-1000 OHM)	☺
DOUBLE PULL / DOUBLE THROW (DPDT) LIMIT SWITCH RETROFIT KIT (post 2001)	☺
460VAC CONVERSION KIT (SINGLE PHASE TO THREE PHASE)	☺
MOTOR, 115VAC, 1PH	☺
MOTOR, 230VAC, 3PH	☺
MOTOR, 460VAC, 3PH	☺
MOTOR, 575VAC, 3PH	☺
MOTOR, 230VAC, 1PH	☺



**NOTES**

1. Unbracketed dimensions are in inches
2. Bracketed dimensions ( ) are in millimeters
3. Dimensions shown with actuator fully retracted

**ADJUSTABLE TRUNNION OR FACE/FLANGE**

**"T" Adjustable Dimension**

Stroke	Inches	Millimeters
6	2.38 - 2.88	(60.45 - 73.15)
12	2.38 - 8.00	(60.45 - 203.20)
18	2.38 - 14.00	(60.45 - 355.60)
24	2.38 - 20.00	(60.45 - 508.00)
30	8.38 - 26.00	(12.85 - 660.40)
36	14.38 - 32.00	(365.25 - 812.80)

**EAGLE ELECTRICAL CYLINDER PERFORMANCE**

3100 Series				
Velocity (in./sec.)	Breakaway Force (lbs.)	Running Force (lbs. at 5% duty)	Weight Range (lbs.)	Stroke (in.)
0.2	2000	1000		6, 12
0.4	1500	750		18, 24
0.8	750	340	35-75	30 & 36
2.0	500	200		