



**HOW IT WORKS** Compressed air drives a hardened steel ball at high speeds around a highly finished and hardened steel race creating high frequency vibration. Vibco Ball Vibrators require lubrication for long maintenance-free operation and start in any position. Mount VIBCO BALL VIBRATORS either directly to structure to be vibrated or use simple mounting plates welded or bolted to the structure for better vibration transfer to a larger surface.

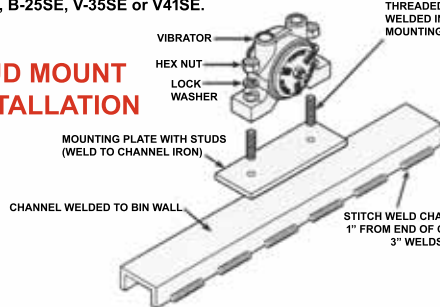


V-130

- SIMPLE
- BUILT-IN-MUFFLER
- REMOVABLE RACE FOR EASY MAINTENANCE
- HIGH TEMPERATURE OPERATION

**MODEL V** The V-line ball vibrators are the most versatile, lowest cost units. They are light, sturdy and made to work in adverse conditions of water, heat, cold or dirt in any position. The most versatile and popular unit is the V-320. Considered to be the work horse of the line, it produces 600 lbs. at 10,000 VPM. Models V-100 & V-130 have built-in exhaust mufflers and the rest have threaded exhaust ports. For units with built-in mufflers, order V-19SE, B-25SE, V-35SE or V41SE.

**STUD MOUNT INSTALLATION**



**Mounting Plate and Channel Iron** are each sold separately. Length of mounting channel sized by application requirements and force output of vibrator. Please consult factory to determine channel length if necessary.



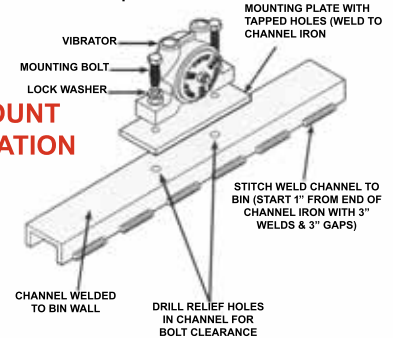
BV-130



BV-380

**MODEL BV** The BV Series will withstand continuous operation at high temperatures up to 350° with proper lubrication and a constant low air pressure of 5 to 10 PSI through the unit when not in operation. The easily exchangeable ball races make them easy to repair for prolonged life at a small cost. The top air outlet port allows discharge air to be silenced by a muffler or piped way from the area of operation if absolute cleanliness is required.

**BOLT MOUNT INSTALLATION**



**AIR PISTON VIBRATORS**

- Flow aids for bins, hoppers, silos, chutes and tracks prevent bridging, clogging, sticking and ratholes
- Power small Feeders, Screeners or Densification Tables
- Impact styles for maximum force
- Air Cushioned styles for quiet operation
- Timed, Single Impact styles for sticky or moist material



**MINIATURE AIR VIBRATORS**

- Solution for precise and delicate material flow challenges in bins, hopper, chutes and tracks
- Compact and powerful



**TRUCK AND TRAILER VIBRATORS**

- Hopper bottom trailers, dump bodies, belly dump trailers, sand/salt spreaders or mobile screeners
- 12V/24V DC or Pneumatic Models
- Built to last in harsh weather conditions



**PNEUMATIC TURBINE VIBRATORS**

- High frequency flow aids for small hoppers, chutes, tracks and screens
- De-air or consolidate concrete or molded products
- No lubrication. Quiet operation. Very efficient use of air
- Constructed with clean materials



**URAS TECHNO® ROTARY ELECTRICS**

- Flow aids for bins, hoppers and chutes
- Drives for vibratory equipment
- Force outputs range from 30 lbs. to over 40,000 lbs.
- High IP Ratings. Long life



**PORTABLE & RAILCAR PNEUMATIC VIBRATORS**

- Railcar Vibrators with Female Brackets
- UH Model is optimal for concrete forms
- VMSAC Vacuum Mount fit with air cushioned Piston vibrator for heavy duty hopper cleanout
- VMSAC Vacuum Mount option for Portable Bins IBC cleanout & concrete/molded product forms
- CVT Vacuum Mount fit with turbine vibrator for small load material handling



**PNEUMATIC BALL VIBRATORS**

- Good for simple vibratory tables for packing & densifying or settling molded product
- Flow aids for small to medium bins, hoppers, chutes, tracks or screen decks
- Lower cost with shorter life expectancy



**ELECTROMAGNETIC VIBRATORS**

- Ideal for moving materials from small hoppers, chutes, and flow pipes
- Unitized armature assemblies
- Fit with strong fiberglass leaf springs and an encapsulated, high temperature coil to provide long service life



**ACCESSORIES**

- Frequency and amplitude control options
- Capacitor Starter for Single Phase Motors
- "Make It A Kit" option

VIBCO & CLEVELAND BIN / HOPPER VIBRATORS