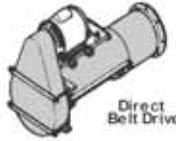


POWER HEADS

8" HORIZONTAL POWER HEAD DIRECT BELT DRIVE

| BIN DIA | # BELTS | MAX HP | WT | PART# | PRICE | EXT. (\$ / ft) |
|---------|---------|--------|----|-----------|-------|----------------|
| 24-45" | 2 | 7.5 | 88 | BJ08240DH | 0 | 0 |
| 54-78" | 3 | 15 | 91 | BJ08540DH | 0 | 0 |

8"x24" 14ga. Galvanized tube with flange. Head flight is 7ga. mounted on 1.9" O.D. tube. 15" auger sheave. Use 3-1/2" O.D. motor sheave for 408 rpm. Capacity up to 2000 BPH.

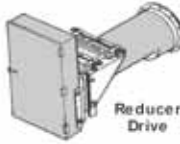


Direct Belt Drive

10" HORIZONTAL POWER HEAD DIRECT BELT DRIVE

| BIN DIA | # BELTS | MAX HP | WT | PART# | PRICE | EXT. (\$ / ft) |
|---------|---------|--------|-----|-----------|-------|----------------|
| 24-63" | 2 | 10 | 150 | BJ10240DH | 0 | 0 |
| 68-92" | 3 | 15 | 165 | BJ10680DH | 0 | 0 |
| 92+" | 4 | 20 | 175 | BJ10930DH | 0 | 0 |

10"x30" 12ga. Galvanized tube with flange. Head flight is 1/4" mounted on 2-3/8" O.D. tube. 18.4" P.D. auger sheave. Use 4.6" P.D. motor sheave for 438 rpm. Capacity up to 4000 BPH.



Reducer Drive

10" HORIZONTAL POWER HEAD REDUCER CHAIN DRIVES

| BIN DIA | # BELTS | MAX HP | | WT | PART# | PRICE | EXT. (\$ / ft) |
|---------|---------|----------------------|-----------|-----|-----------|-------|----------------|
| | | 3.8" P.D. | 4.6" P.D. | | | | |
| 24-48" | 2 | 7.5 | 10 | 198 | BJ1024DHR | 0 | 0 |
| 54-78" | 3 | 10 | 15 | 202 | BJ1048DHR | 0 | 0 |
| 24-92" | 4 | 25 HP WITH 5.0" P.D. | | 315 | BJ1048DGR | 0 | 0 |

10"x30" 12ga. Galvanized tube with flange. Head flight is 1/4" mounted on 2-3/8" O.D. tube. 7.4" driven sheave. Use 3.8" P.D. for 312 rpm & capacity up to 3500 BPH or 4.6" P.D. for 375 rpm & capacity up to 4000 BPH.

12" POWER HEAD OPTIONS

12"x30" 12ga. Galvanized tube with flange. Head flight is 7ga mounted on 2-7/8" O.D. tube.

| 12" DIRECT DRIVE POWER HEAD (UP TO 6,000 BPH) | | | | | | |
|---|---------|--------|-----|-----------|-------|----------------|
| BIN DIA | # BELTS | MAX HP | WT | PART# | PRICE | EXT. (\$ / ft) |
| 24-42" | 2 | 10 | 200 | BJ12240DH | 0 | 0 |
| 48-68" | | 15 | 215 | BJ12480DH | 0 | 0 |
| 72-90" | 4 | 20 | 225 | BJ12720DH | 0 | 0 |

Includes 18.4" P.D. sheave. Use 4.2" P.D. motor sheave for 425 rpm.

12" 3:1 REDUCTION CHAIN DRIVE POWER HEAD (UP TO 5,000 BPH)

| BIN DIA | # BELTS | MAX HP | | WT | PART# | PRICE | EXT. (\$ / ft) |
|---------|---------|-----------|-----------|-----|------------|-------|----------------|
| | | 3.8" P.D. | 4.6" P.D. | | | | |
| 24-30" | 2 | 7.5 | | 230 | BJ12240DCR | 0 | 0 |
| 24-42" | 2 | | 10 | | | 0 | 0 |
| 33-48" | | 10 | | 233 | BJ12330DCR | 0 | 0 |
| 42-68" | | 15 | | | | 0 | 0 |

Includes 7.4" P.D. sheave. Use 3.8" P.D. motor sheave for 312 rpm or 4.6" P.D. for 375 rpm.

12" 4:1 REDUCTION GEAR DRIVE POWER HEAD (UP TO 5,000 BPH)

| BIN DIA | # BELTS | MAX HP | | WT | PART# | PRICE | EXT. (\$ / ft) |
|---------|---------|-----------|-----------|-----|------------|-------|----------------|
| | | 4.6" P.D. | 6.0" P.D. | | | | |
| 24-42" | 2 | 10 | | 295 | BJ12240DGR | 0 | 0 |
| 24-90" | 2 | | 15 | | | 0 | 0 |
| 42-68" | | 15 | | 300 | BJ12480DGR | 0 | 0 |
| 68-90" | | 20 | | | | 0 | 0 |
| 92-120" | 4 | 25 | | 305 | BJ12920DGR | 0 | 0 |

Includes 7.4" P.D. sheave. Use 4.6" P.D. motor sheave for 280 rpm or 6.0" P.D. for 360 rpm.

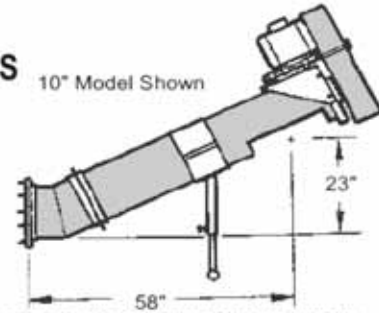
HEAVY DUTY 25° BIN UNLOADERS

10" Model Shown

8" to 10" HEAVY DUTY 25° BIN UNLOADERS (2,500 BPH)

| # BELTS | MAX HP | WT. | PART# | PRICE | EXT. (\$ / ft) |
|---------|--------|-----|----------|-------|----------------|
| 2 | 7.5 | 260 | B125700B | 0 | 0 |
| 3 | 10 | 265 | B126710B | 0 | 0 |
| 4 | 15 | 276 | B126720B | 0 | 0 |

Includes a 25" "box" transfer unit containing a short flight between u-joints, 10" x 12ga. galvanized inclined tube 5' long with auger, motor mount, direct drive with 15.0" O.D. sheave, belts, guard and support stand. Attaches to an 8" flanged bin unloading tube and auger, or to an 8" power sweep. Use 4.0 O.D. motor sheave for 467 rpm.



10" to 12" HEAVY DUTY 25° BIN UNLOADERS (4,000 BPH)

| # BELTS | MAX HP | WT | PART# | PRICE | EXT. (\$ / ft) |
|---------|--------|-----|----------|-------|----------------|
| 2 | 10 | 350 | B136700B | 0 | 0 |
| 3 | 15 | 360 | B136710B | 0 | 0 |
| 4 | 25 | 370 | B136720B | 0 | 0 |

Includes a 25" "box" transfer unit containing a short flight between u-joints, 12" x 12ga. galvanized inclined tube 5' long with auger, motor mount, direct drive with 18.4" P.D. sheave, belts, guard and support stand. Attaches to a 10" flanged bin unloading tube and auger, or to a 10" power sweep. Use 4.6" P.D. motor sheave for 460 rpm.

12" to 14" HEAVY DUTY 25° BIN UNLOADERS (5,000 - 6,000 BPH)

| DRIVE | MAX HP | DRIVEN PULLEY | RPM | WT | PART# | PRICE |
|-------------|--------|---------------|-----|-----|---------|-------|
| 4.1 Red. 2B | 10 | 7.4" P.D. | 300 | 530 | B14621B | 0 |
| 4.1 Red. 3B | 20 | 7.4" P.D. | 300 | 540 | B14631B | 0 |
| 4.1 Red. 4B | 25 | 7.4" P.D. | 300 | 550 | B14641B | 0 |

Includes a 25" "box" transfer unit containing a short flight between u-joints, 14" x 12ga. painted inclined tube 5' long with auger, motor mount, direct drive or gear reducer drives, sheaves, belts, guard and support stand. Attaches to a 12" flanged bin unloading tube and auger.

DOUBLE DRIVE VERTICAL BIN UNLOADING AUGERS

These unloaders use a separate electric motor drive on the horizontal and vertical sections. The vertical part uses a direct belt drive on all sizes located at the bottom. On 8" & 10" models a direct belt drive is used for the horizontal part. For 10" units a 2:1 reduction of bath chain drive is available for the horizontal. A gear reduction drive is standard on 12" sizes for the horizontal. All unloaders include a 16'6" tall vertical auger and a horizontal section with flange to attach to a bin unloading tube and flight or to a power sweep. There is a discharge spout with 3' of solid tube attached and a mounting bracket to connect the vertical to a bin.

6"-8" DOUBLE DRIVE VERTICAL BIN UNLOADERS (UP TO 2,000 BPH)

Use a 2B 4.5" O.D. motor sheave on the 5HP motor required for the vertical drive. Order the horizontal flight separately for the desired bin size (see following pages). Use the power listed there for a horizontal unloader. Use a 2B 4.0" O.D. motor sheave when connected to a power sweep and a motor specified for that particular horizontal power head. Capacity up to 2,000 BPH.

| Max. Horizontal Power | WT. | PART# | PRICE |
|-----------------------|-----|----------|-------|
| 7.5 hp | 420 | BJ12516A | 0 |

8"-10" Double Drive Vertical Bin Unloaders - Direct Belt Drive (UP TO 3,500 BPH)

Use a 2B 4.0" O.D. motor sheave on the 7.5HP motor required for the vertical drive. Order an 8" or 10" horizontal flight separately for the desired bin size (see following pages). Use the power listed there for a horizontal unloader. Use a 2B 4.0" O.D. motor sheave when connected to a power sweep and a motor specified for that particular horizontal power head. Capacity up to 3,500 BPH.

| DESCRIPTION | MOTOR SHEAVE | Max. Horizontal Power | WT. | PART# | PRICE |
|---------------------------------|--------------|-----------------------|-----|------------|-------|
| Direct Belt Drive for 8" Horiz. | 2B 4.5" O.D. | 10 | 477 | BJ13516A | 0 |
| Direct Belt Drive for 8" Horiz. | 3B 4.5" O.D. | 15 | 485 | BJ13518B | 0 |
| Direct Belt for 10" Horiz | 3B 3.0" O.D. | 10 | 567 | BJ12480ADV | 0 |

10"-12" Double Drive Vertical Bin Unloaders - Direct Belt Drive (UP TO 5,000 BPH)

Use a 3B 4.0" O.D. motor sheave on the 10 HP motor required for the vertical drive. Order a 10" or 12" horizontal flight separately for the desired bin size (see following pages). Use the power listed there for a horizontal unloader. When connected to a power sweep, use the power listed there for the horizontal power head. Capacity up to 5,000 BPH.

| DESCRIPTION | MOTOR SHEAVE | Max. Horizontal Power | WT. | PART# | PRICE |
|--------------------------------|--------------|-----------------------|-----|------------|-------|
| Gear Red. Drive for 10" Horiz. | 2B 6.0" O.D. | 10 | 654 | BJ12240BDV | 0 |
| Gear Red. Drive for 10" Horiz. | 3B 6.0" O.D. | 15 | 664 | BJ12480BDV | 0 |
| Gear Red. Drive for 10" Horiz. | 4B 6.0" O.D. | 25 | 674 | BJ12720BDV | 0 |
| Gear Red. Drive for 12" Horiz. | 3B 4.6" O.D. | 15 | 662 | BJ12481BDV | 0 |
| Gear Red. Drive for 12" Horiz. | 4B 4.6" O.D. | 25 | 672 | BJ12721BDV | 0 |

