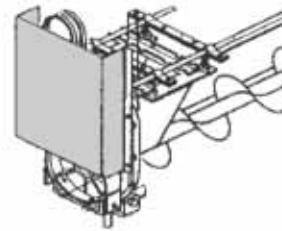


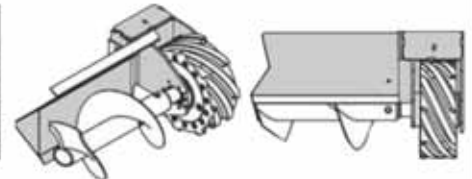
**COMMERCIAL KLEAN SWEEP REPLACEMENT HEAD DRIVE
w/OIL BATH REDUCTION**

Description	# Belts	Part#	Price
68 Commercial Sweep 2-:1 Chain Reduction Oil Bath	2	BK0800DSR	⊛
810 Commercial Sweep 2-:1 Chain Reduction Oil Bath	2	BK1000DSR	⊛
1012 Commercial Sweep 3-:1 Chain Reduction Oil Bath	2	BK1200DSR	⊛
1214 Commercial Sweep 3-:1 Chain Reduction Oil Bath	3	BK1400DSR	⊛
1214 Commercial Sweep 5-:1 Gear Reduction 80' - 120' Bin Dia.	3	BK1402DSR	⊛



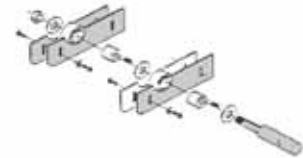
REDUCTION SWEEP WHEELS- RETROFIT KITS

Description	Part#	Price
8" Cycloidal end wheel for flanged end shields	BK1021W	⊛
8" Cycloidal end wheel for non-flanged end shields	BK1022W	⊛
10" Cycloidal end wheel for flanged end shields	BK1221W	⊛
10" Cycloidal end wheel for non-flanged end shields	BK1222W	⊛



SWEEP WALKER

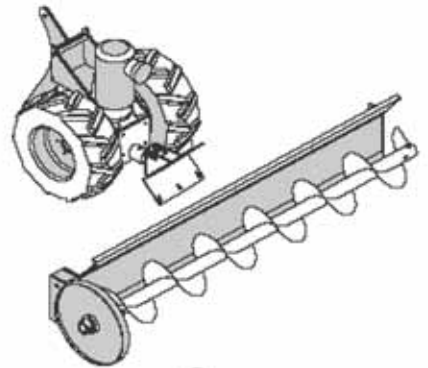
Description	Part#	Price
Sweep Walker for 68 series Commercial Klean Sweep	14338	⊛
Sweep Walker for 810 series Commercial Klean Sweep	14344	⊛
Sweep Walker for 1012 Commercial Klean Sweep	BK1201W	⊛
Sweep Walker for 1214 Commercial Klean Sweep	BK1401W	⊛



Tractors are driven by a gear motor separate from the Clean Sweep drive and can be operated from a separate control.

TRACTOR FOR 1012 SERIES SWEEPS

Description	Part#	Price
Tractor with single phase TEFC Motor	BK1203W	⊛
Tractor with 208-230/460volt motor-3 phase	BK1205W	⊛
Tractor with 208-230/460 explosion proof motor-3 phase	BK1206W	⊛
Tractor with 575 volt motor-3 phase	BK1207W	⊛
Tractor with 575 volt explosion proof motor - 3 phase	BK1208W	⊛
Tractor with 380 volt explosion proof motor - 50 HZ	BK1209W	⊛



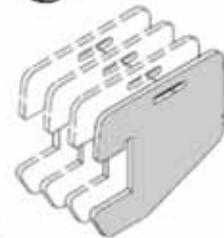
TRACTOR FOR 1214 SERIES SWEEPS

Description	Part#	Price
Tractor with single phase TEFC Motor	BK1403W	⊛
Tractor with 208-230/460volt motor-3 phase	BK1405W	⊛
Tractor with 208-230/460 explosion proof motor-3 phase	BK1406W	⊛
Tractor with 575 volt motor-3 phase	BK1407W	⊛
Tractor with 575 volt explosion proof motor - 3 phase	BK1408W	⊛
Tractor with 380 volt explosion proof motor - 50 HZ	BK1409W	⊛

All Series 1012 Sweeps and Series 1214 36'-59' tractors do not include weights. Two tractor weights are included with 60'-80' bin sweeps and four tractor weights are included with 88'-120' bin sweeps.

SWEEP TRACTOR WEIGHTS

Description	Part#	Price
50 lb Cast Iron Weight	BK1411W	⊛



1012 SERIES TRACTOR OPTIONS - ADD PRICE TO STANDARD SWEEP

	Option #	Price
Sweep Tractor with single phase TEFC Motor	3	⊛
Sweep Tractor with 208-230-460 volt motor	5	⊛
Sweep Tractor with 208-230/460 explosion proof motor	6	⊛
Sweep Tractor with 575 volt motor	7	⊛
Sweep Tractor with 575 volt-explosion proof motor	8	⊛
Sweep Tractor with 380 volt,50HZ Explosion Proof Motor	9	⊛

1214 SERIES TRACTOR OPTIONS - ADD PRICE TO STANDARD SWEEP

	Option #	Price
Sweep Tractor for 12" 30.5 cm OD Flight single phase TEFC Motor	3	⊛
Sweep Tractor for 12" 30.5 cm OD Flight 208-230/460 volt motor	5	-
Sweep Tractor for 12" 30.5 cm OD Flight 208-230/460 explosion proof motor	6	⊛
Sweep Tractor for 12" 30.5 cm OD Flight 575 volt motor	7	⊛
Sweep Tractor for 12" 30.5 cm OD Flight 575 volt-explosion proof motor	8	⊛
Sweep Tractor for 12" 30.5 cm OD flight 380 volt, 50 Hz explosion proof motor	9	⊛



KLEAN SWEEP ACCESSORIES