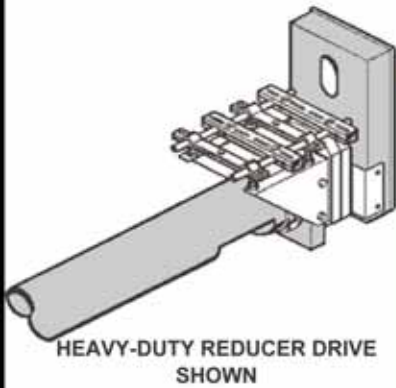


CUSTOM BUILT DISTRIBUTING AUGER DRIVES

Selection will depend on application and speed requirements. Drives are mounted at discharge end unless specified at intake end. Drives include head plate with bearing or reduction unit, driven pulley, belts and belt guard. Driven pulleys not supplied.

Auger Size	Drive Type	# of Belts	HP Rating	Required Driver Pulley	Driven Pulley	Flight RPM	Wt. lbs	Part #	Price
6"	Standard Duty	2	5 HP	3"	12.0" O.D.	438	40	H16010AX	⊕
	Standard Duty	3	7 1/2 HP	3"	12.0" O.D.	438	43	H16020AX	⊕
	Standard Duty	2	5 HP	3"	15.0" O.D.	350	50	H16710AX	⊕
	Standard Duty	3	7 1/2 HP	3"	15.0" O.D.	350	52	H16720AX	⊕
	Heavy Duty	2	5 HP	3"	15.0" O.D.	350	66	H1601HX	⊕
	Heavy Duty	3	10 HP	3"	15.0" O.D.	350	70	H1602HX	⊕
	Heavy Duty	2	5 HP	3"	18.4" P.D.	279	72	H1670HX	⊕
	Heavy Duty	3	10 HP	3"	18.4" P.D.	279	76	H1671HX	⊕
	HD 2:1 Chain	3	10 HP	3.5"	15.0" O.D.	204	123	H1602CX	⊕
8"	Standard Duty	2	5 HP	3.4" P.D.	15.0" O.D.	443	57	H18010AX	⊕
	Standard Duty	3	10 HP	3.4" P.D.	15.0" O.D.	443	60	H18020AX	⊕
	Heavy Duty	2	5 HP	3.4" P.D.	15.0" O.D.	443	76	H1801HX	⊕
	Heavy Duty	3	10 HP	3.4" P.D.	15.0" O.D.	443	78	H1802HX	⊕
	Heavy Duty	2	5 HP	3.4" P.D.	18.4" P.D.	323	82	H1870HX	⊕
	Heavy Duty	3	10 HP	3.4" P.D.	18.4" P.D.	323	84	H1871HX	⊕
	HD 3:1 Chain	2	10 HP	5.0" O.D.	12.0" O.D.	243	128	H1801CX	⊕
	HD 3:1 Chain	3	15 HP	5.0" O.D.	12.0" O.D.	243	129	H1802CX	⊕
	HD 3:1 Chain	3	10 HP	3.5" O.D.	12.0" O.D.	179	128	H1802C1X	⊕
	HD 3:1 Chain	3	10 HP	3.5" O.D.	15.0" O.D.	136	129	H1802C2X	⊕
	10"	Heavy Duty	2	5 HP	3.0" O.D.	15.0" O.D.	350	104	H2000HX
Heavy Duty		3	10 HP	3.0" O.D.	15.0" O.D.	350	107	H2001HX	⊕
Heavy Duty		4	15 HP	3.4" P.D.	15.4" P.D.	350	135	H2002HX	⊕
Heavy Duty		2	5 HP	3.0" O.D.	18.4" P.D.	280	104	H2070AX	⊕
Heavy Duty		3	10 HP	3.0" O.D.	18.4" P.D.	280	114	H2071AX	⊕
HD 3:1 Chain		2	10 HP	5.0" O.D.	12.0" O.D.	243	127	H2000CX	⊕
HD 3:1 Chain		3	15 HP	5.0" O.D.	12.0" O.D.	243	128	H2001CX	⊕
HD 3:1 Chain		3	10 HP	3.5" O.D.	12.0" O.D.	170	128	H2001C1X	⊕
HD 3:1 Chain		3	10 HP	3.5" O.D.	15.0" O.D.	136	132	H2001C2X	⊕
HD Reducer 4:1		4	20 HP	5.0" O.D.	7.4" O.D.	280	186	H2002HRX	⊕
12"		Heavy Duty	2	5 HP	3.0" O.D.	18.4" P.D.	280	172	H2270AX
	Heavy Duty	3	10 HP	3.0" O.D.	18.4" P.D.	280	180	H2271AX	⊕
	HD 3:1 Chain	2	10 HP	5.0" O.D.	12.0" O.D.	243	126	H2200CX	⊕
	HD 3:1 Chain	3	15 HP	5.0" O.D.	12.0" O.D.	243	127	H2201CX	⊕
	HD 3:1 Chain	3	10 HP	3.5" O.D.	12.0" O.D.	170	127	H2201C1X	⊕
	HD 3:1 Chain	3	10 HP	3.5" O.D.	15.0" O.D.	136	131	H2201C2X	⊕
	HD Reducer 4:1	4	20 HP	5.0" O.D.	7.4" O.D.	280	222	H2202HRX	⊕
	14"	HD Reducer 4:1	4	30 HP	5.0" O.D.	11" O.D.	280	250	H2402HRX



CUSTOM AUGERS - DISTRIBUTING AUGER DRIVES

