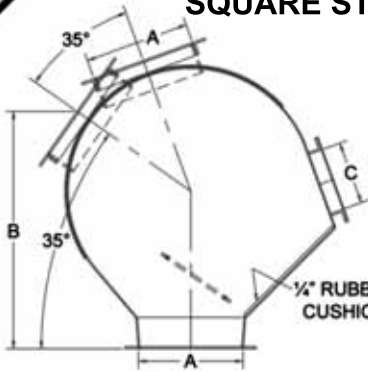
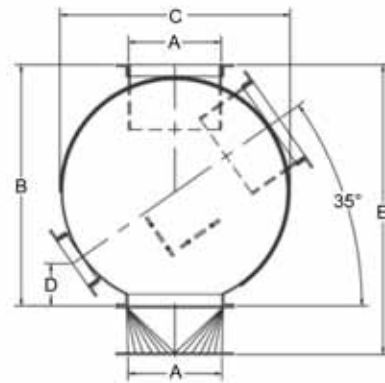


SQUARE STYLE CUSHION BOXES



SIZE	A	B	C
6"	12"	19 1/4"	6"
8"	14"	20 5/16"	6"
10"	16 3/8"	22 3/4"	6"
12"	18 3/8"	23 7/8"	10"
14"	20 3/8"	25 13/16"	10"
16"	22 3/8"	27 13/16"	10"
18"	24 3/8"	29 3/4"	10"
20"	28 1/2"	34"	10"
24"	32 1/2"	36 5/16"	10"

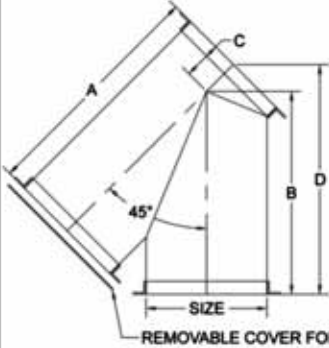
ROUND STYLE CUSHION BOXES



SIZE	A	B	C	D	E	INSP PORT
6"	6-1/8"	21-5/8"	15-5/8"	2-5/8"	16-3/8"	6"
8"	8-1/8"	26-3/8"	20-7/8"	3-3/4"	21-1/8"	6"
10"	10-1/8"	31-1/4"	26"	4-7/8"	26"	6"
12"	12-1/8"	37-1/4"	31-1/8"	6-3/8"	31"	10"
14"	14-1/8"	42-3/8"	36-1/4"	7-3/4"	36-1/8"	10"
16"	16-1/8"	50-7/8"	41-3/8"	9"	40-7/8"	10"
18"	18-1/8"	55-7/8"	46-1/2"	10-1/8"	45-7/8"	10"
20"	20-1/8"	61"	51-5/8"	11-1/2"	51"	10"
24"	24-1/8"	70-5/8"	61-3/4"	13-7/8"	60-5/8"	10"

CUSTOM SIZES ARE ALSO AVAILABLE. CONTACT PREMIER FOR INFORMATION.

ROUND 45° DEADSTOPS WITH SPOUT CAP OR ROUND K BRANCH (45° OFFSET)

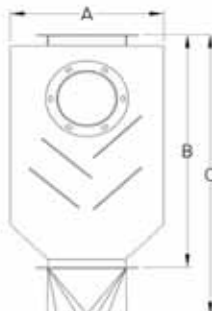


SIZE	A	B	C	D
6"	17 1/8"	13 7/16"	3 5/8"	16"
8"	20"	16 11/16"	3 1/4"	19"
10"	24"	19 1/8"	4 3/4"	22 1/2"
12"	26"	20 7/8"	5 1/8"	24 1/2"
14"	26 13/16"	22 7/16"	4 1/2"	25 5/8"
16"	31 1/2"	27 1/16"	5 3/8"	30 7/8"
18"	35"	29 5/8"	5 5/8"	33 5/8"
20"	37 3/8"	32 3/8"	6 1/16"	36 11/16"
24"	44"	37"	6 15/16"	41 15/16"

SQUARE K BRANCH (OFFSET) OR 45° DEAD STOP WITH REMOVABLE END



FLOW RETARDERS



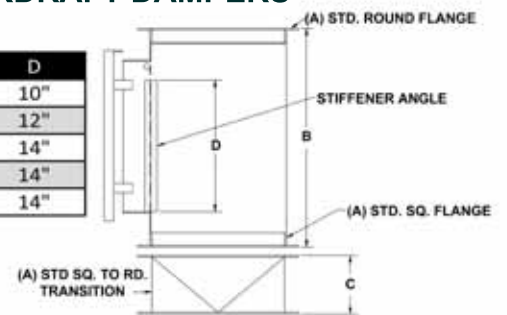
SIZE	A	B	C	D	E
6"	15"	1 1/4"	12"	6"	5 1/4"
8"	17 7/8"	1 1/4"	14 1/16"	6 1/16"	5 5/16"
10"	20 3/4"	1 1/4"	16 1/16"	6 1/16"	5 3/8"
12"	24 3/8"	1 1/2"	18 11/16"	6 11/16"	5 7/8"
14"	27 1/4"	1 1/2"	20 5/8"	6 5/8"	5 15/16"
16"	30 1/8"	1 1/2"	22 11/16"	6 11/16"	6"
18"	32 7/8"	1 1/2"	24 11/16"	6 11/16"	5 15/16"
20"	35 3/4"	1 1/2"	26 11/16"	6 11/16"	5 15/16"
22"	38 1/2"	1 1/2"	28"	6"	5 7/8"
24"	41 3/8"	1 1/2"	30 1/2"	6 5/8"	5 7/8"
30"	50 1/2"	2"	36 1/2"	6 5/8"	6 1/4"

IN-LINE BACKDRAFT DAMPERS

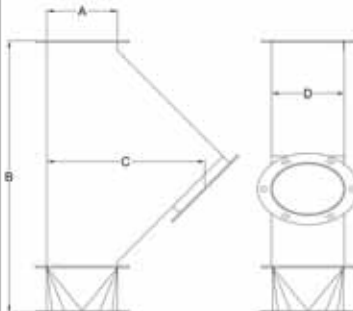
SIZE	A	B	C	D	DEPTH
6"	12"	20-1/2"	25-3/4"	61-3/4"	6-1/4"
8"	16"	26-1/2"	31-3/4"	67-3/4"	8-1/4"
10"	20"	32-1/2"	37-3/4"	73-3/4"	10-1/4"
12"	24"	37"	43-1/4"	79-1/4"	12-1/4"
14"	28"	39"	45-1/4"	81-1/4"	14-1/4"
16"	32"	41"	51"	87"	16-1/4"
18"	36"	45"	55"	91"	18-1/4"
20"	40"	49"	59"	95"	20-1/4"
22"	44"	53"	63"	99"	22-1/4"
24"	48"	57"	67"	103"	24-1/4"

D: FOR WELDING SLEEVE ADD 18" TO THE INLET AND 18" TO THE DISCHARGE HEIGHT FOR A TOTAL OF 36" GREATER THAN DIMENSION 'C'.

(A)	B	C	D
6"	18 1/4"	5 1/4"	10"
8"	20 1/2"	5 1/4"	12"
10"	22 3/4"	5 1/4"	14"
12"	23 1/4"	6 1/4"	14"
14"	23 1/4"	6 1/4"	14"

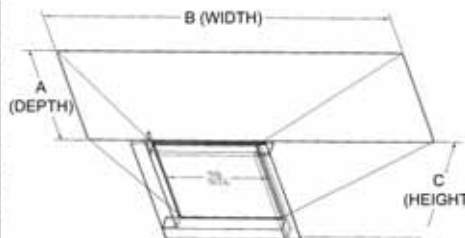


45° OVERFLOW - FULL FLOW MODEL



A	B	C	D
6"	27 3/4"	15"	6 1/4"
8"	30 3/4"	17 7/8"	8 1/4"
10"	33 1/2"	20 5/8"	10 1/4"
12"	37 1/4"	23 1/4"	12 1/4"
14"	40 1/4"	25 7/8"	14 1/4"
16"	47"	28 5/8"	16 1/4"
18"	52 7/8"	32 5/8"	18 1/4"
20"	54 3/8"	34 7/8"	20 1/4"
22"	57"	37 1/2"	22 1/4"

COLLECTOR BOXES



SIZE	A	B	C
8"	10"	28"	10"
10"	12"	34"	12"
12"	14"	38"	14"
14"	16"	42"	16"
16"	18"	46"	18"
18"	20"	50"	20"
20"	22"	54"	22"
22"	24"	58"	24"
24"	26"	62"	26"
26"	28"	66"	28"

ALL DIMENSIONS ARE SUBJECT TO CHANGE. PLEASE CONTACT PREMIER COMPONENTS WITH ANY DIMENSIONAL INQUIRIES.