

## KLEAN SWEEP BIN SWEEP

U.S. PATENT NO. 4,008,816 CANADIAN PATENT NO. 1,040,572

The "Klean Sweep" is equipped with a back up shield that uses a torque tube. This tube incorporates torque into the shield to allow adjustment for close floor clearance and easy bin clean-up. A Klean Sweep removes the grain in one or two revolutions, eliminating the need for a swivel connector.

**IMPORTANT:** Klean Sweeps are NOT designed to remain in a bin during filling, storage or unloading. Leaving a sweep in the bin during these operations may cause severe damage to the sweep, center well, or bin. Neither Hutchinson/Maywrath or Premier Components will not be responsible for such damage.

### 6" TORQUE ARM KLEAN SWEEP

Complete unit includes 4" O.D. 11 ga. flight mounted on 1" tubing, 5" rubber wheel, 7" auger sheave, "B" belt, 16 ga. backup shields and 1" torque tube(s). Use 2-1/2" motor sheave for 625 R.P.M. Length is from center of bin to outside of sweep wheel.

LENGTH	HP	BIN DIA.	WEIGHT	PART#	PRICE
6'-11.25"	0.75	15'	47	B1181A	⊙
8'-5.25"	1	18'	53	B1182A	⊙
9'-11.25"	1	21'	59	B1183A	⊙
11'-5.25"	1.5	24'	63	B1184A	⊙
12'-11.25"	1.5	27'	71	B1185A	⊙
*14'-5.25"	2	30'	78	B1186A*	⊙
*15'-11.25"	2	33'	85	B1187A*	⊙
*17'-5.25"	2	36'	91	B1188A*	⊙

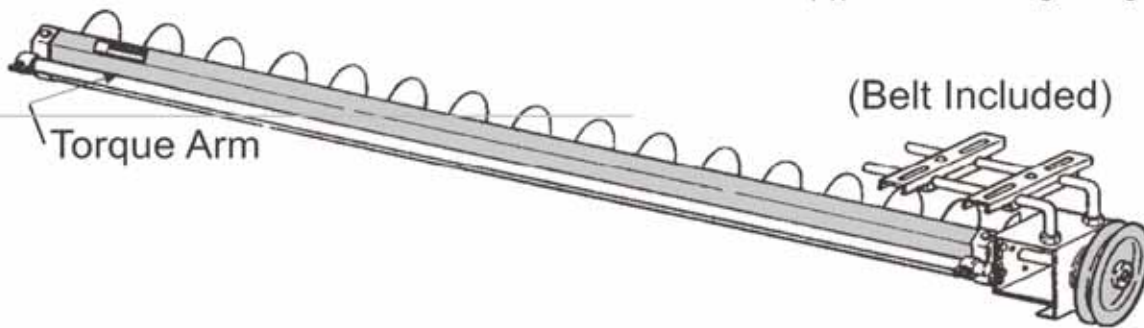
\* Equipped with intermediate flight bearing.

### 8" TORQUE ARM KLEAN SWEEP

Complete unit includes 5" O.D. 11 ga. flight mounted on 1" tubing, 6" rubber wheel, 10" auger sheave, "B" belt, 16 ga. backup shields and 1" torque tube(s). Use 3.0" motor sheave for 525 R.P.M. Length is from center of bin to outside of sweep wheel.

LENGTH	HP	BIN DIA.	WEIGHT	PART#	PRICE
6'-11.25"	1.5	15'	55	B1281A	⊙
8'-5.25"	1.5	18'	60	B1282A	⊙
9'-11.25"	1.5	21'	66	B1283A	⊙
11'-5.25"	2	24'	71	B1284A	⊙
12'-11.25"	2	27'	78	B1285A	⊙
*14'-5.25"	2	30'	84	B1286A*	⊙
*15'-11.25"	2	33'	92	B1287A*	⊙
*17'-5.25"	2	36'	97	B1288A*	⊙
*18'-11.25"	3	39'	103	B1289A*	⊙
*20'-4.5"	3	42'	110	B1290A*	⊙
*23'-4.5"	3	48'	123	B1291A*	⊙

\* Equipped with intermediate flight bearing.



### POWER SWEEP AUGER

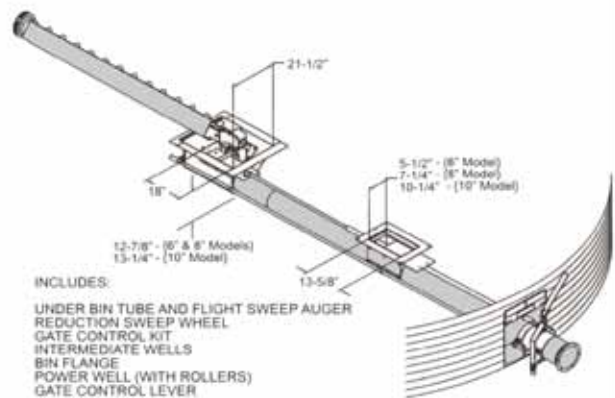
Unload bins without a motor or any wiring inside? All the power is outside on the powerhead! Various powerheads are available to meet your needs. These include a Horizontal Unloader, a Vertical Unloader, a 25" Unloader and a "Lowboy" unit. Each utilize a square drive stub, making it easier to move the powerhead from one bin to another.

A basic power sweep does not include a powerhead, but includes a bin sweep with bearing supported steel shield, two gearboxes with connecting shaft, unloading tube and flight, special bin flange, intermediate wells, special center well, and control pipe kit. The center well includes a slide gate, houses a solid steel clutch with chain transmission in a separate enclosure (accessed by a hinged lid) to drive the bin sweep. Intermediate bearings stabilize the sweep flight and shield on units for 30' diameter bins and larger. Half inch pipe controls the center well individually and intermediate wells together. The bin sweep is to be placed over the intermediate wells before the bin is filled. To unload, start the unloading auger with the sweep clutch disengaged and open the center well slide gate. After gravity flow stops in the center, open the intermediate well(s). When flow stops, shut off motor and engage sweep using the separate clutch control pipe. Start motor and the sweep will pull grain to the center well while moving around bin. One revolution of the bin usually completes the unloading job.

Power sweep augers are designed for use in bins up to 60' in diameter.

**NOTE:** It is not recommended that the Power Sweep Units be set in concrete. Where it is necessary to install a unit flush with a concrete floor, we recommend that the unit be placed in a pre-formed trench. A ledge should be formed at the top edge on each side of the trench so that a 1/4" plate cover would set down flush with the floor. The center well is offset so the trench needs to be offset in center of bin accordingly. Consult factory for details if necessary.

The Sweep Flight and Shield Assembly is supplied in sections. It is recommended that the sweep be used in sections and try to sweep from center of bin to sidewall on first pass. Normally, one pass for each section of sweep is all that is necessary to clean down to where bin can be broomed.



The above illustration shows the Basic Power Sweep less powerhead. An offset intermediate well is shown in place. Note offset design of center well. Gearboxes must be placed in center of bin.

