



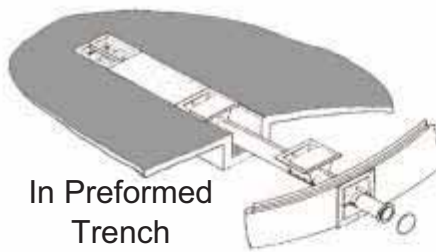
The remainder of this catalog is devoted to Hutchinson Tube Screw and Klean Sweep parts and assemblies. As a Hutchinson dealer, Premier Components has showcased only the most commonly stocked items and would be pleased to provide a complete Hutchinson catalog upon request.

BIN WELLS

The bin well with unloading tube is the first step in an automatic bin unloading system. With these installed, the system can be completed in a variety of ways at any time. The small cost makes bin wells a good investment for every bin. The illustration below pictures three ways that bin wells and unloading tubes can be installed. Different types of wells are available for various applications.



Under an Aeration Floor



In Preformed Trench

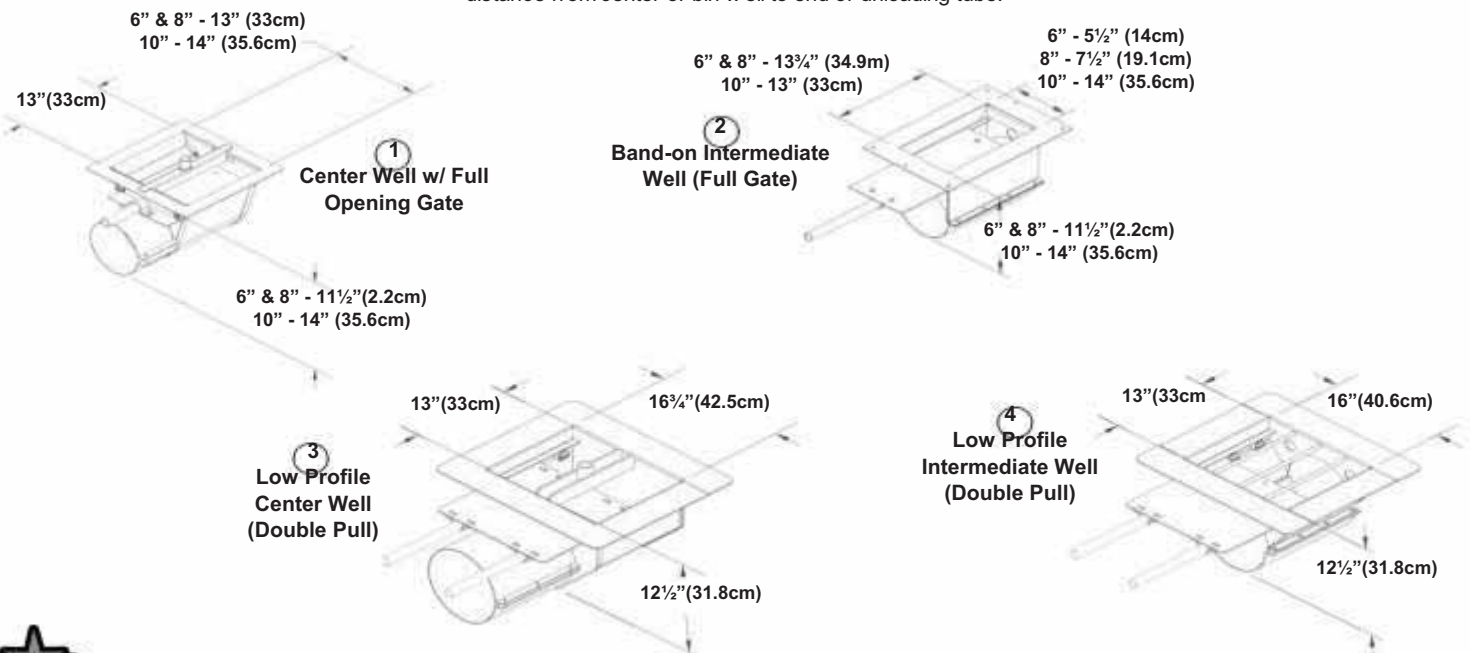
Slide gates and pivot pipes are provided, as well as clamps to attach bin wells to the unloading tube (which is heavy gauge for dependable service and includes a flanged discharge end with tube cap.). Also available is a bin flange with clamp. It attaches to the bin well, covering the hole and securely holding the unloading tube in place.

BIN WELLS WITH ROLLER SUPPORTED SLIDES

REF NO.	DESCRIPTION	6"			8"			10"		
		PART#	w t. (lbs.)	PRICE	PART#	w t. (lbs.)	PRICE	PART#	w t. (lbs.)	PRICE
1	Center Well w / Full Opening Gate	B1193E	28	CALL	B1293E	29	CALL			
2	Band-on Intermediate Well (Full Gate)	B1192E	26	CALL	B1294E	21	CALL			
3*	Low Profile Center Well (Double Pull)							*B1327C-DP	65	CALL
4*	Low Profile Intermediate Well (Double Pull)							*B1333C	42	CALL
-	Band-on Intermediate Well (Half Gate)				B1291E	26	CALL			

*Two sets of control pipes are required for Double Pull wells.

All available styles are illustrated below . Add 2" for outside dimensions of flanges on 6" & 8" models and add 4" on 10" models. Add 6-1/2" to determine distance from center of bin well to end of unloading tube.



STANDARD BIN UNLOAD - BIN WELLS