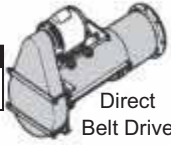


POWER HEADS

8" HORIZONTAL POWER HEAD DIRECT BELT DRIVE

BIN DIA	# BELTS	MAX HP	WT	PART#	PRICE	EXT. (\$ / ft)
24'-48'	2	7.5	88	BJ08240DH	CALL	CALL
54'-78'	3	15	91	BJ08540DH	CALL	

8"x24" 14ga. Galvanized tube with flange. Head flight is 7ga. mounted on 1.9" O.D. tube. 15" auger sheave. Use 3-1/2" O.D. motor sheave for 408 rpm. Capacity up to 2000 BPH.

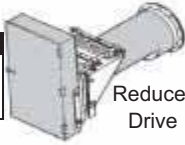


Direct Belt Drive

10" HORIZONTAL POWER HEAD DIRECT BELT DRIVE

BIN DIA	# BELTS	MAX HP	WT	PART#	PRICE	EXT. (\$ / ft)
24'-63'	2	10	150	BJ10240DH	CALL	CALL
68'-92'	3	15	165	BJ10680DH	CALL	
92'+	4	20	175	BJ10930DH	CALL	

10"x30" 12ga. Galvanized tube with flange. Head flight is 1/4" mounted on 2-3/8" O.D. tube. 18.4" P.D. auger sheave. Use 4.6" P.D. motor sheave for 438 rpm. Capacity up to 4000 BPH.



Reducer Drive

10" HORIZONTAL POWER HEAD REDUCER CHAIN DRIVES

BIN DIA	# BELTS	MAX HP		WT	PART#	PRICE	EXT. (\$ / ft)
		3.8" P.D.	4.6" P.D.				
24'-48'	2	7.5	10	198	BJ1024DHR	CALL	CALL
54'-78'		10	15	202	BJ1048DHR	CALL	
24'-92'	4	25 HP WITH 5.0" P.D.		315	BJ1048DGR	CALL	

10"x30" 12ga. Galvanized tube with flange. Head flight is 1/4" mounted on 2-3/8" O.D. tube. 7.4" driven sheave. Use 3.8" P.D. for 312 rpm & capacity up to 3500 BPH or 4.6" P.D. for 375 rpm & capacity up to 4000 BPH.

12" POWER HEAD OPTIONS

12"x30" 12ga. Galvanized tube with flange. Head flight is 7ga mounted on 2-7/8" O.D. tube.

12" DIRECT DRIVE POWER HEAD (UP TO 6,000 BPH)

BIN DIA	# BELTS	MAX HP	WT	PART#	PRICE	EXT. (\$ / ft)
24'-42'	2	10	200	BJ12240DH	CALL	CALL
48'-68'		15	215	BJ12480DH	CALL	
72'-90'		20	225	BJ12720DH	CALL	

Includes 18.4" P.D. sheave. Use 4.2" P.D. motor sheave for 425 rpm.

12" 4:1 REDUCTION GEAR DRIVE POWER HEAD (UP TO 5,000 BPH)

BIN DIA	# BELTS	MAX HP		WT	PART#	PRICE	EXT. (\$ / ft)
		4.6" P.D.	6.0" P.D.				
24'-42'	2	10		295	BJ12240DGR	CALL	CALL
24'-90'	2		15				
42'-68'		15		300	BJ12480DGR	CALL	
68'-90'			20				
92'-120'	4	25		305	BJ12920DGR	CALL	

Includes 7.4" P.D. sheave. Use 4.6" P.D. motor sheave for 280 rpm or 6.0" P.D. for 360 rpm.

HEAVY DUTY 25° BIN UNLOADERS 10" Model Shown

8" to 10" HEAVY DUTY 25° BIN UNLOADERS (2,500 BPH)

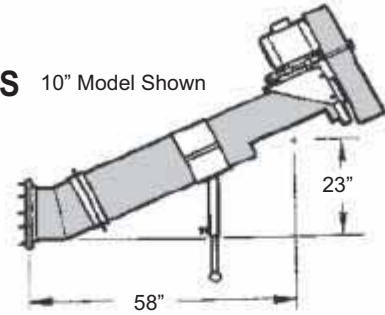
# BELTS	MAX HP	WT.	PART#	PRICE
3	10	266	B126710B	CALL
4	15	276	B126720B	CALL

Includes a 25" "box" transfer unit containing a short flight between u-joints, 10" x 12ga. galvanized inclined tube 5' long with auger, motor mount, direct drive with 15.0" O.D. sheave, belts, guard and support stand. Attaches to an 8" flanged bin unloading tube and auger, or to an 8" power sweep. Use 4.0 O.D. motor sheave for 467 rpm.

10" TO 12" HEAVY DUTY 25° BIN UNLOADERS (4,000 BPH)

# BELTS	MAX HP	WT	PART#	PRICE
3	15	360	B136710B	CALL
4	25	370	B136720B	CALL

Includes a 25" "box" transfer unit containing a short flight between u-joints, 12" x 12ga. galvanized inclined tube 5' long with auger, motor mount, direct drive with 18.4" P.D. sheave, belts, guard and support stand. Attaches to a 10" flanged bin unloading tube and auger, or to a 10" power sweep. Use 4.6" P.D. motor sheave for 460 rpm.



12" TO 14" HEAVY DUTY 25° BIN UNLOADERS (5,000 - 6,000 BPH)

DRIVE	MAX HP	DRIVEN PULLEY	RPM	WT	PART#	PRICE
4:1 Red. 3B	20	7.4" P.D.	300	540	B14631B	CALL
4:1 Red. 4B	25	7.4" P.D.	300	550	B14641B	CALL

Includes a 25" "box" transfer unit containing a short flight between u-joints, 14" x 12ga. painted inclined tube 5' long with auger, motor mount, direct drive or gear reducer drives, sheaves, belts, guard and support stand. Attaches to a 12" flanged bin unloading tube and auger.

DOUBLE DRIVE VERTICAL BIN UNLOADING AUGERS

These unloaders use a separate electric motor drive on the horizontal and vertical sections. The vertical part uses a direct belt drive on all sizes located at the bottom. On 8" & 10" models a direct belt drive is used for the horizontal part. For 10" units a 2:1 reduction oil bath chain drive is available for the horizontal. A gear reduction drive is standard on 12" sizes for the horizontal. All unloaders include a 16'6" tall vertical auger and a horizontal section with flange to attach to a bin unloading tube and flight or to a power sweep. There is a discharge spout with 3' of solid tube attached and a mounting bracket to connect the vertical to a bin.

6"-8" DOUBLE DRIVE VERTICAL BIN UNLOADERS (UP TO 2,000 BPH)

Use a 2B 4.5" O.D. motor sheave on the 5HP motor required for the vertical drive. Order the horizontal flight separately for the desired bin size (see following pages). Use the power listed there for a horizontal unloader. Use a 2B 4.0" O.D. motor sheave when connected to a power sweep and a motor specified for that particular horizontal power head. Capacity up to 2,000 BPH.

Max. Horizontal Power	WT.	PART#	PRICE
7.5 hp	420	BJ12516A	CALL

8"-10" Double Drive Vertical Bin Unloaders - Direct Belt Drive (UP TO 3,500 BPH)

Use a 2B 4.0" O.D. motor sheave on the 7.5HP motor required for the vertical drive. Order an 8" or 10" horizontal flight separately for the desired bin size (see following pages). Use the power listed there for a horizontal unloader. Use a 2B 4.0" O.D. motor sheave when connected to a power sweep and a motor specified for that particular horizontal power head. Capacity up to 3,500 BPH.

DESCRIPTION	MOTOR SHEAVE	Max. Horizontal Power	WT.	PART#	PRICE
Direct Belt Drive for 8" Horz.	2B 4.5" O.D.	10	477	BJ13518A	CALL
Direct Belt Drive for 8" Horz.	3B 4.5" O.D.	15	485	BJ13518B	CALL
Direct Belt for 10" Horiz	3B 3.0" O.D.	10	567	BJ12480ADV	CALL

10"-12" Double Drive Vertical Bin Unloaders - Direct Belt Drive (UP TO 5,000 BPH)

Use a 3B 4.0" O.D. motor sheave on the 10 HP motor required for the vertical drive. Order a 10" or 12" horizontal flight separately for the desired bin size (see following pages). Use the power listed there for a horizontal unloader. When connected to a power sweep, use the power listed there for the horizontal power head. Capacity up to 5,000 BPH.

DESCRIPTION	MOTOR SHEAVE	Max. Horizontal Power	WT.	PART#	PRICE
Gear Red. Drive for 10" Horz.	2B 6.0" O.D.	10	654	BJ12240BDV	CALL
Gear Red. Drive for 10" Horz.	3B 6.0" O.D.	15	664	BJ12480BDV	CALL
Gear Red. Drive for 10" Horz.	4B 6.0" O.D.	25	674	BJ12720BDV	CALL
Gear Red. Drive for 12" Horz.	3B 4.6" O.D.	15	662	BJ12481BDV	CALL
Gear Red. Drive for 12" Horz.	4B 4.6" O.D.	25	672	BJ12721BDV	CALL

