

COMMERCIAL BIN UNLOAD

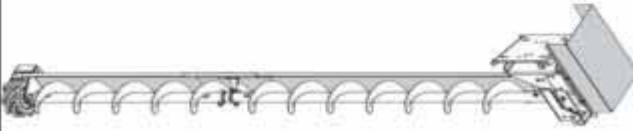
Commercial Klean Sweeps include Flight and Shield in sections no longer than 9'-9 3/4" long. Sweeps for 48' bins and larger include a Sweep Carrier Assembly. Additional carriers can be ordered.

Center portion of sweep to be used prior to adding subsequent sections until the entire sweep has been assembled and the bin unloaded.

1012 SERIES COMMERCIAL KLEAN SWEEP FLIGHT, SHIELD, REDUCTION WHEEL AND DRIVE

SECTIONS	HP	BIN DIA.	WT.	LENGTH	PART#	PRICE
2	3	24'	438	11'-5 5/8"	BK12242SW	CALL
2	3	27'	451	12'-11 5/8"	BK12272SW	CALL
2	3	30'	476	14'-3 7/8"	BK12302SW	CALL
2	3	33'	490	15'-11 5/8"	BK12332SW	CALL
2	3	34'	498	16'-6 1/8"	BK12342SW	CALL
2	3	36'	511	17'-5 7/8"	BK12362SW	CALL
2	3	37'	515	18'-1 1/8"	BK12372SW	CALL
2	5	39'	529	18'-11 7/8"	BK12392SW	CALL
2	5	40'	536	19'-5 5/8"	BK12402SW	CALL
2	5	42'	550	20'-6 1/8"	BK12422SW	CALL
3	5	45'	622	22'-1 1/8"	BK12452SW	CALL
3	5	48'	649	23'-6 1/8"	BK12482SW	CALL
3	5	49'	658	23'-11 3/8"	BK12492SW	CALL
3	5	54'	688	26'-6 3/8"	BK12542SW	CALL
3	5	55'	697	26'-11 3/8"	BK12552SW	CALL
3	7 1/2	60'	727	29'-6 3/8"	BK12602SW	CALL
4	7 1/2	63'	750	31'-1"	BK12632SW	CALL
4	7 1/2	68'	785	33'-6 3/4"	BK12682SW	CALL
4	7 1/2	69'	795	34'-0"	BK12692SW	CALL
4	7 1/2	72'	810	35'-4 3/8"	BK12722SW	CALL
4	7 1/2	75'	827	37'-1"	BK12752SW	CALL
4	10	78'	849	38'-7 1/4"	BK12782SW	CALL
4	10	80'	863	40'-1/2"	BK12802SW	CALL
4	10	82'	880	40'-6 3/4"	BK12822SW	CALL
5	10	90'	974	44'-7 3/8"	BK12902SW	CALL
5	10	92'	1022	45'-7 1/8"	BK12922SW	CALL
6	10	105'	1101	51'-6 1/8"	BK12972SW	CALL
6	10	113'	1237	55'-6 1/8"	BK12982SW	CALL

LENGTH: CENTER OF BIN TO OUTSIDE OF SWEEP WHEEL

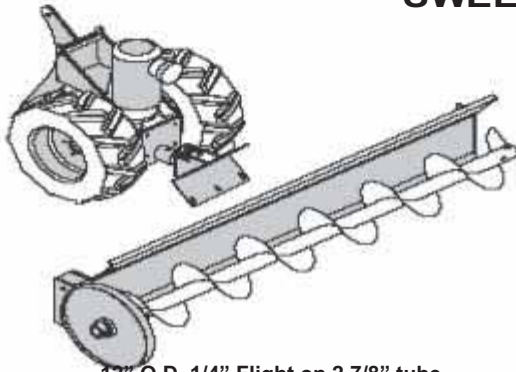


9" O.D. 1/4" Flight on 2 7/8" tube
 Drive includes 3:1 Oil Bath Reducer
 Capacity rated at ~ 1280 BPH per 100 RPM

Center sweep carrier(s) provided on 48' through 82' diameter bins.
 Two carriers are furnished with units for 90' bins and larger.

Desired Size to Match	BPH	1750 Motor	Driven Pulley	RPM
10" Unload System	3,200	5.0" O.D.	12.0" O.D.	250
12" Unload System	3,712	6.0" O.D.	12.0" O.D.	290

1214 SERIES COMMERCIAL KLEAN SWEEP FLIGHT, SHIELD, KLEAN SWEEP TRACTOR AND DRIVE



12" O.D. 1/4" Flight on 2 7/8" tube.
 Drive include 3:1 Oil Bath Gear Reducer -
 80' through 120' diameter bins.
 Motor Pulley NOT included. Pivot pin support is Ø1"
 Capacity rated at ~ 2700 BPH per 100 RPM

SECTIONS	HP	BIN DIA.	WT.	LENGTH	PART#	PRICE
2	7 1/2	36'	448	17'-1"	BK14362SD6	CALL
2	7 1/2	37'	456	17'-7"	BK14372SD6	CALL
2	7 1/2	40'	474	19'-1"	BK14402SD6	CALL
2	10	42'	493	19'-9"	BK14422SD6	CALL
2	10	43'	501	20'-6"	BK14432SD6	CALL
3	10	48'	563	23'-0"	BK14482SD6	CALL
3	10	49'	565	23'-6"	BK14492SD6	CALL
3	15	54'	611	26'-0"	BK14542SD6	CALL
3	15	55'	618	26'-6"	BK14552SD6	CALL
3	15	59'	649	28'-7"	BK14592SD6	CALL
3	15	60'	657	29'-0"	BK14602SD6	CALL
3	15	62'	668	29'-8"	BK14622SD6	CALL
4	15	68'	735	33'-10"	BK14682SD6	CALL
4	15	72'	767	34'-10"	BK14722SD6	CALL
4	15	75'	793	36'-5"	BK14752SD6	CALL
4	15	78'	816	37'-11"	BK14782SD6	CALL
4	20	80'	937	39'-0"	BK14802SD6	CALL
5	20	88'	1016	42'-10"	BK14882SD6	CALL
5	20	90'	1028	43'-8"	BK14902SD6	CALL
5	20	92'	1041	44'-7"	BK14922SD6	CALL
6	20	105'	1164	51'-1"	BK141052SD6	CALL

LENGTH: CENTER OF BIN TO OUTSIDE OF SWEEP WHEEL

Tractor includes reduction drive gearbox. For bin diameters of 60 ft. and greater, the tractor includes cast iron weights. For bin diameters 68' through 92', one sweep carrier is provided.

Two carriers are furnished with units for 105' bins and larger.

Desired Size to Match	BPH	1750 Motor	Driven Pulley	RPM
12" Unload System w / 3:1 Chain Drive	3,942	3.0" O.D.	12.0" O.D.	146
12" Unload System w / 3:1 Chain Drive	4,590	3.5" O.D.	12.0" O.D.	170
12" Unload System w / 3:1 Chain Drive	5,886	4.5" O.D.	12.0" O.D.	170
12" Unload System w / 5:1 Chain Drive	4,887	4.6" O.D.	9.4" P.D.	181
12" Unload System w / 5:1 Chain Drive	5,292	5.0" O.D.	9.4" P.D.	196
12" Unload System w / 5:1 Chain Drive	5,886	5.6" O.D.	9.4" P.D.	218
12" Unload System w / 5:1 Chain Drive	6,102	6.0" O.D.	9.4" P.D.	226

KLEAN SWEEPS - 1012 & 1214 SERIES

