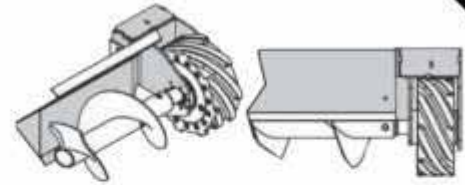


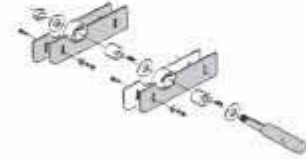
REDUCTION SWEEP WHEELS- RETROFIT KITS

Description	Part#	Price
8" Cycloidal end w heel for flanged end shields	BK1021W	CALL
8" Cycloidal end w heel for non-flanged end shields	BK1022W	CALL
10" Cycloidal end w heel for flanged end shields	BK1221W	CALL
10" Cycloidal end w heel for non-flanged end shields	BK1222W	CALL



SWEEP WALKER

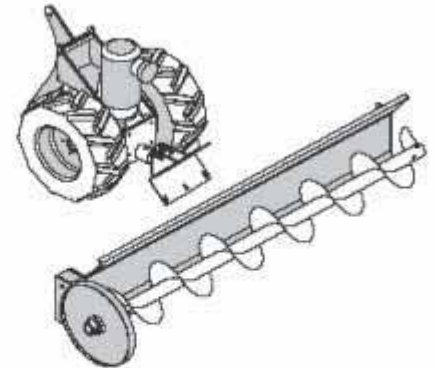
Description	Part#	Price
Sweep Walker for 68 series Commercial Klean Sweep	14338	CALL
Sweep Walker for 810 series Commercial Klean Sweep	14344	CALL
Sweep Walker for 1012 Commercial Klean Sweep	BK1201W	CALL



Tractors are driven by a gear motor separate from the Clean Sweep drive and can be operated from a separate control.

TRACTOR FOR 1012 SERIES SWEEPS

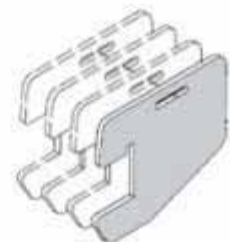
Description	Part#	Price
Tractor with single phase TEFC Motor	BK1203W	CALL
Tractor with 208-230/460volt motor-3 phase	BK1205W	CALL
Tractor with 208-230/460 explosion proof motor-3 phase	BK1206W	CALL
Tractor with 575 volt motor-3 phase	BK1207W	CALL
Tractor with 575 volt explosion proof motor - 3 phase	BK1208W	CALL
Tractor with 380 volt explosion proof motor - 50 HZ	BK1209W	CALL



TRACTOR FOR 1214 SERIES SWEEPS

Description	Part#	Price
Tractor with single phase TEFC Motor	BK1403W	CALL
Tractor with 208-230/460volt motor-3 phase	BK1405W	CALL
Tractor with 208-230/460 explosion proof motor-3 phase	BK1406W	CALL
Tractor with 575 volt motor-3 phase	BK1407W	CALL
Tractor with 380 volt explosion proof motor - 50 HZ	BK1409W	CALL

All Series 1012 Sweeps and Series 1214 36'-59' tractors do not include weights. Two tractor weights are included with 60'-80' bin sweeps and four tractor weights are included with 88'-120' bin sweeps.



SWEEP TRACTOR WEIGHTS

Description	Part#	Price
50 lb Cast Iron Weight	BK1411W	CALL

1012 SERIES TRACTOR OPTIONS - ADD PRICE TO STANDARD SWEEP

	Option #	Price
Sweep Tractor with Single Phase Explosion Proof Motor	BK1203W	CALL
Sweep Tractor with 208-230/460 explosion proof motor 3 Phase	BK1206W	CALL
Sweep Tractor with 575 volt Explosion Proof Motor - 3 Phase	BK1208W	CALL
Sweep Tractor with 380 volt,50HZ Explosion Proof Motor	BK1209W	CALL

1214 SERIES TRACTOR OPTIONS - ADD PRICE TO STANDARD SWEEP

	Option #	Price
Sweep Tractor with Single Phase Explosion Proof Motor	BK1403W	CALL
Sweep Tractor with 208-230/460 explosion proof motor 3 Phase	BK1406W	CALL
Sweep Tractor with 575 volt Explosion Proof Motor - 3 Phase	BK1408W	CALL
Sweep Tractor with 380 volt,50HZ Explosion Proof Motor	BK1409W	CALL

KLEAN SWEEP ACCESSORIES

