

2

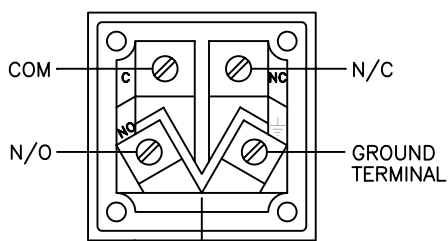
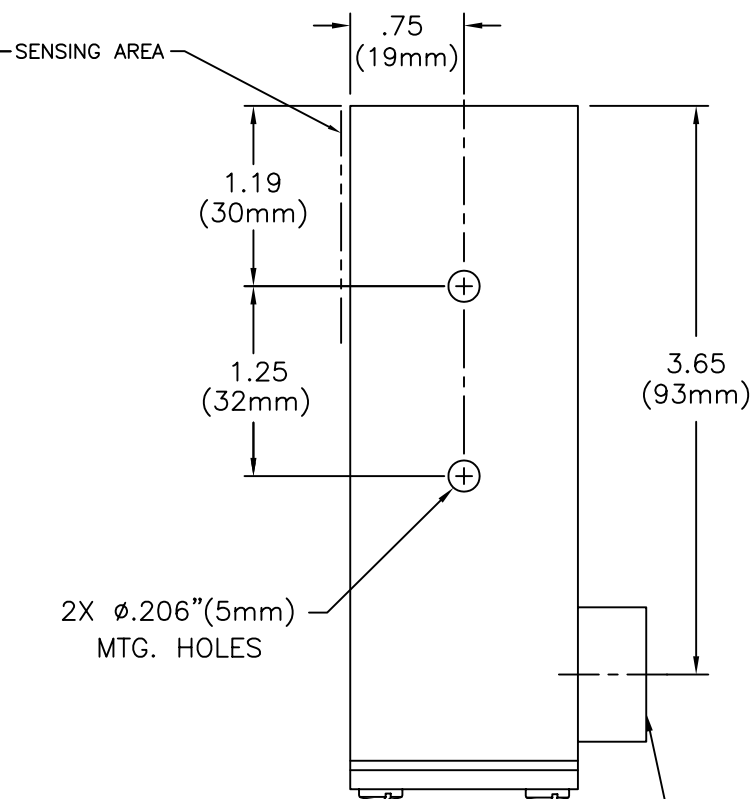
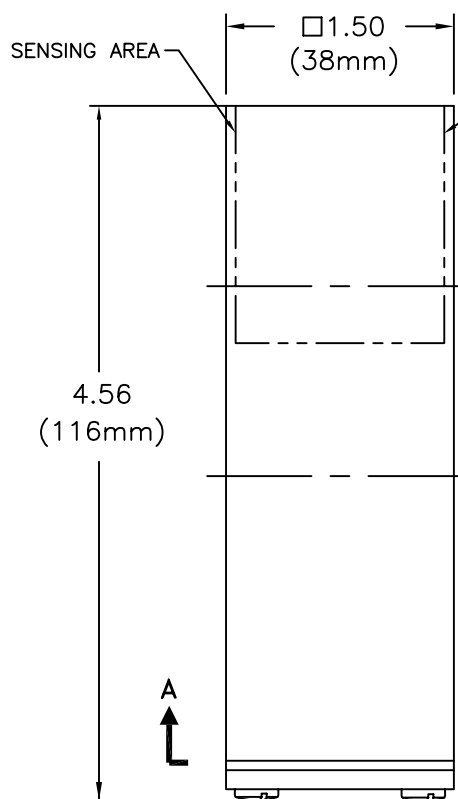
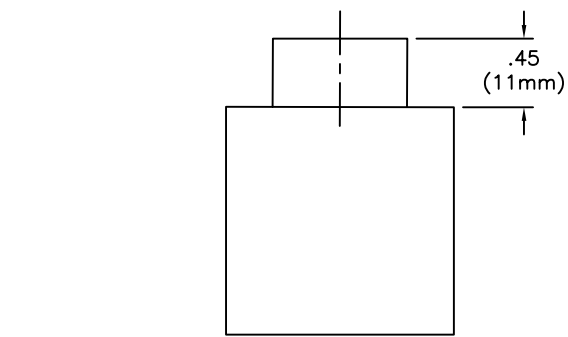
1

B

B

A

A



SECTION A-A
TERMINAL DIAGRAM

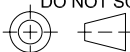
NOMINAL SPECIFICATIONS:

1. SENSING DISTANCE: APPROX. .563" (14mm) $\triangle 1$
2. DIFFERENTIAL : APPROX. .313" (8mm)
3. TEMPERATURE RANGE: -40°F TO 221°F
-40°C TO 105°C
4. CONTACT ARRANGEMENT: S.P.D.T. (FORM C)
5. ELECTRICAL RATING: 10A @ 120VAC
3A @ 24VDC
6. CASE MATERIAL: BRASS COATED WITH FLAT BLACK LACQUER
7. TERMINATION: TERMINAL BLOCK
8. APPROVALS: CSA/FM CERTIFIED CL I, DIV. 2, GRPS A,B,C,D;
CL II, DIV. 2, GRPS F&G; CL III.

REV	DATE	ECO	BY
1	9/22/06	C2136	NF

UNLESS OTHERWISE SPECIFIED
TOLERANCES: .X ±.03, .XX ±.01,
.XXX ±.005, ANGLES ±1
SURFACE FINISH 125 MICROINCHES
UNIT OF MEASURE
INCHES [MM]

DO NOT SCALE THIS DRAWING



ASME Y14.5

DRAWN	DATE
NF	9/22/06
APPROVED	10/5/06
CCB	
MATERIAL	N/A
DIE:	
THIS DRAWING IS UNCONTROLLED WHEN PRINTED	

TOPWORX
10 SERIES GO SWITCH
MODEL: 11-12110-00
PART NO. 11-12110-00
REV 1
SCALE: NONE SIZE: A SHEET: 1 OF 1

NOTICE: Drawing contains confidential & proprietary material and is furnished upon condition that it will not be used in any way detrimental to the interest of TOPWORX INC.

2

1

