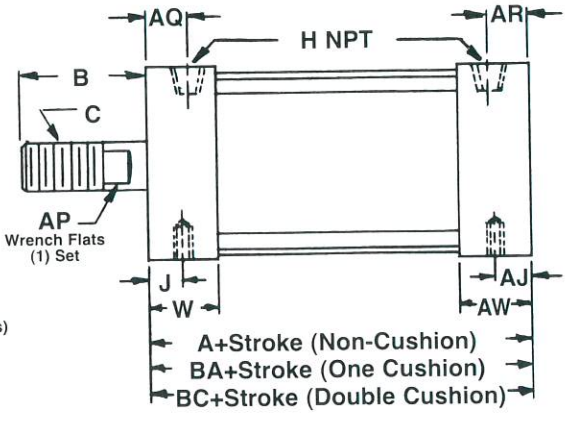
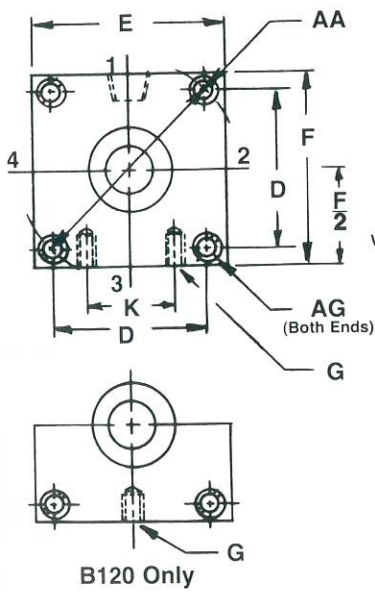


SERIES B & J CYLINDER DIMENSIONS

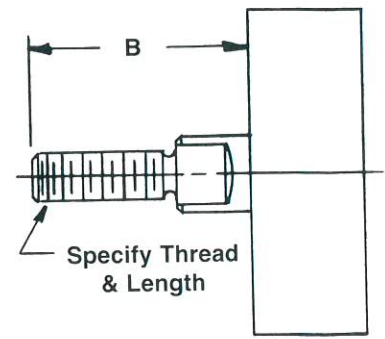
MODEL	BORE	ROD DIA.	EXTEND POWER MULTIPLE	RETRACT POWER MULTIPLE	A	B	CD	D	E	F	G
B120	1¼	¾	1.23	1.12	2 ²⁹ / ₃₂	1⅝	¾-16x1	1.281	1 ¹³ / ₁₆	1 ¹³ / ₁₆	¼-28x¼
B240	1¾	¾	2.40	1.96	3 ⁵¹ / ₆₄	2¼	¾-10x1½	1.718	2⅝	2⅝	⅝-24x⅝
B300	2	¾	3.14	2.70	3 ⁵¹ / ₆₄	2¼	¾-10x1½	1.875	2⅝	2⅝	⅝-24x⅝
B490	2½	¾	4.91	4.47	3 ⁵¹ / ₆₄	2¼	¾-10x1½	2.203	2⅝	2⅝	⅝-24x⅝
B700	3	¾	7.07	6.62	3 ⁵¹ / ₆₄	2¼	¾-10x1½	2.625	3⅝	3⅝	⅝-24x⅝
B960	3½	1	9.62	8.84	4 ³⁵ / ₆₄	2⅝	1-8x1⅝	3.219	4	4⅞	⅝-24x1⅞
B1600	4½	1	15.90	15.12	4 ³⁵ / ₆₄	2⅝	1-8x1⅝	4.031	5	5⅞	½-20x1⅞
B1960	5	1	19.63	18.85	4 ⁵¹ / ₆₄	2⅝	1-8x1⅝	4.100	5½	5½	½-20x1⅞
J2800	6	1½	28.27	26.50	5¾	2½	1¼-12x1⅝	4.875	6½	6½	½-20x⅝
J5000	8	1½	50.26	48.50	5¾	2½	1¼-12x1⅝	6.440	8½	8½	⅝-18x¾

(1) AH dimension is minimum distance from cylinder face to centerline of rod clevis pin.

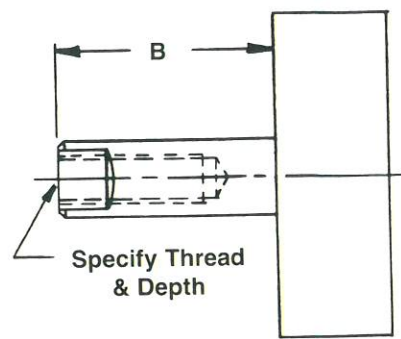
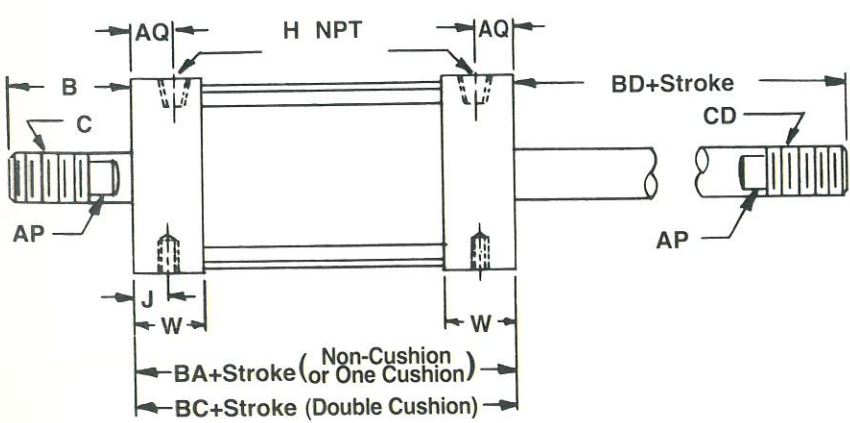


STYLE #1 Standard Full Male Thread
jam nut furnished with standard style #1

OPTIONAL ROD END STYLES FOR SERIES B



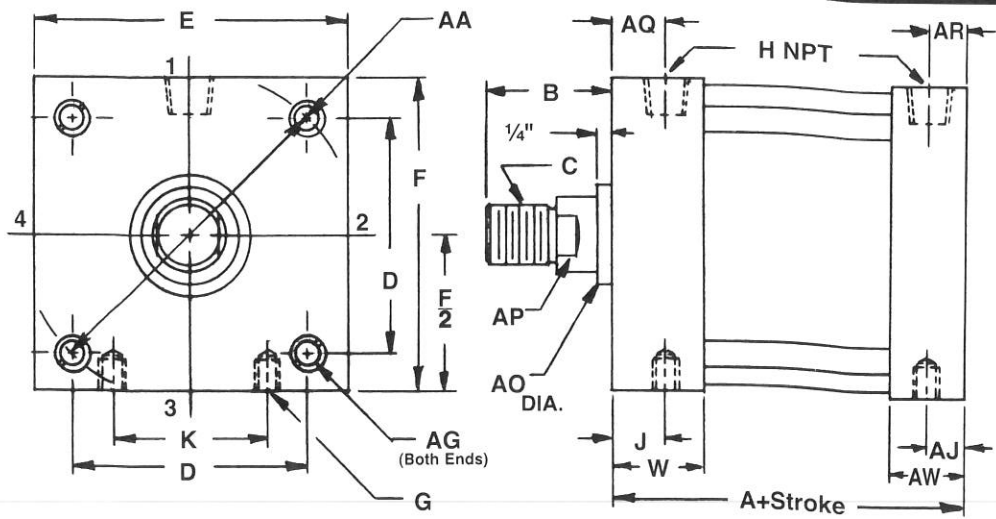
STYLE #2 Small Male Thread
unless specified, "B" dimension furnished standard length



STYLE #3 Female Thread
unless specified, "B" dimension furnished standard length

SERIES B & J CYLINDER DIMENSIONS

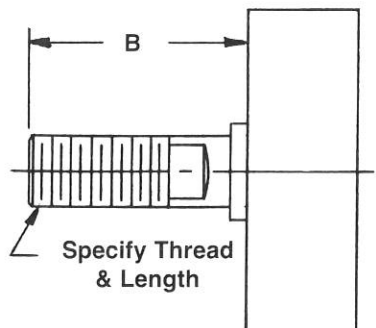
H NPT	J	K	W	AA	AG	(1) AH	AJ	AO	AP	AQ	AR	AW	BA	BC	JA
1/8	7/16	—	7/8	1.811	1/4-28x3/8	23/16	7/16	—	5/16	1/2	1/2	7/8	3 ²⁹ / ₃₂	4 ²⁹ / ₃₂	—
1/4	19/32	25/32	13/16	2.430	5/16-24x1/2	31/8	19/32	—	5/8	3/4	3/4	13/16	4 ⁵¹ / ₆₄	5 ⁵¹ / ₆₄	—
1/4	19/32	25/32	13/16	2.652	1/4-28x3/8	31/8	19/32	—	5/8	3/4	3/4	13/16	4 ⁵¹ / ₆₄	5 ⁵¹ / ₆₄	—
3/8	19/32	11/4	13/16	3.115	5/16-24x1/2	35/16	19/32	—	5/8	11/16	11/16	13/16	4 ⁵¹ / ₆₄	5 ⁵¹ / ₆₄	—
3/8	19/32	11/4	13/16	3.712	5/16-24x1/2	35/16	19/32	—	5/8	11/16	11/16	13/16	4 ⁵¹ / ₆₄	5 ⁵¹ / ₆₄	—
1/2	23/32	1 ²⁷ / ₃₂	11/2	4.552	3/8-24x11/16	3 ¹⁵ / ₁₆	23/32	—	7/8	27/32	27/32	11/2	5 ³⁵ / ₆₄	6 ³⁵ / ₆₄	—
1/2	23/32	21/2	11/2	5.701	1/2-20x11/16	3 ¹⁵ / ₁₆	23/32	—	7/8	27/32	27/32	11/2	5 ³⁵ / ₆₄	6 ³⁵ / ₆₄	—
1/2	3/4	2 ¹¹ / ₁₆	11/2	5.798	1/2-20x11/16	3 ¹⁵ / ₁₆	3/4	—	7/8	27/32	27/32	11/2	5 ⁵¹ / ₆₄	6 ⁵¹ / ₆₄	—
3/4	11/4	31/4	2	6.894	1/2-20x1/2	37/8	3/4	2	11/4	11/4	3/4	11/2	—	—	61/4
3/4	11/4	41/2	2	9.108	5/8-18x1/2	37/8	3/4	2	11/4	11/4	3/4	11/2	—	—	61/4



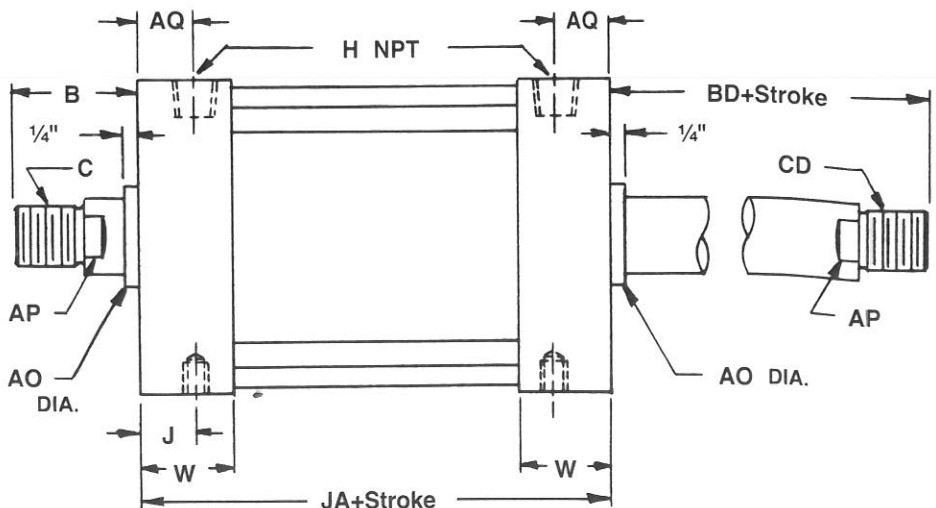
STANDARD OR CUSHION

STYLE #2 Standard Small Male Thread

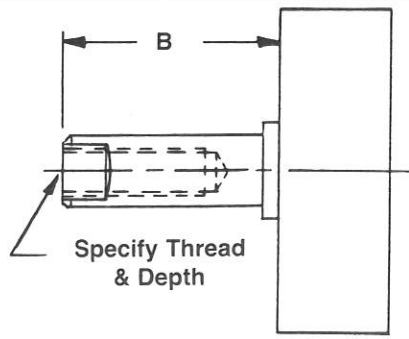
OPTIONAL ROD END STYLES FOR SERIES J



STYLE #1 Full Male Thread
unless specified, "B" dimension furnished standard length



STANDARD OR CUSHION DOUBLE ROD END



STYLE #3 Female Thread
unless specified, "B" dimension furnished standard length