

Installation Instructions

1) Introduction

Secure Gates offer the very best **self-closing gates**. Why? Because our gates cover the largest opening distance of any **self-closing swing gate** on the market and we have designed them to mount anywhere in minutes. What does this mean for you? This means an easy and universal installation. Secure Gates were created to reduce the complexity and time spent on the typical gate installation. Mount your Secure Gate using only a drill, tech screws, and just a few hand tools. (No welding, cutting, or drilling will be required for this install!)

2) Parts and Packing List

4- 10/32 Screws / 4-10/32 Nuts / 8-#10 Washer / 4 -TEK Screws / Secure Gate and No Step Decal / 2-Hinges/ 1- Pad Tape



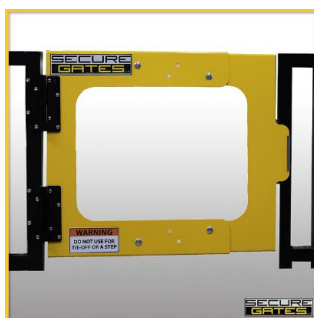
3) Determine Gate Swing Direction

Evaluate the situation and making sure that the gate will have clearance on all sides while in motion. Make sure that once the gate is installed properly that there is no danger to anyone operating the gate or near the near gate.

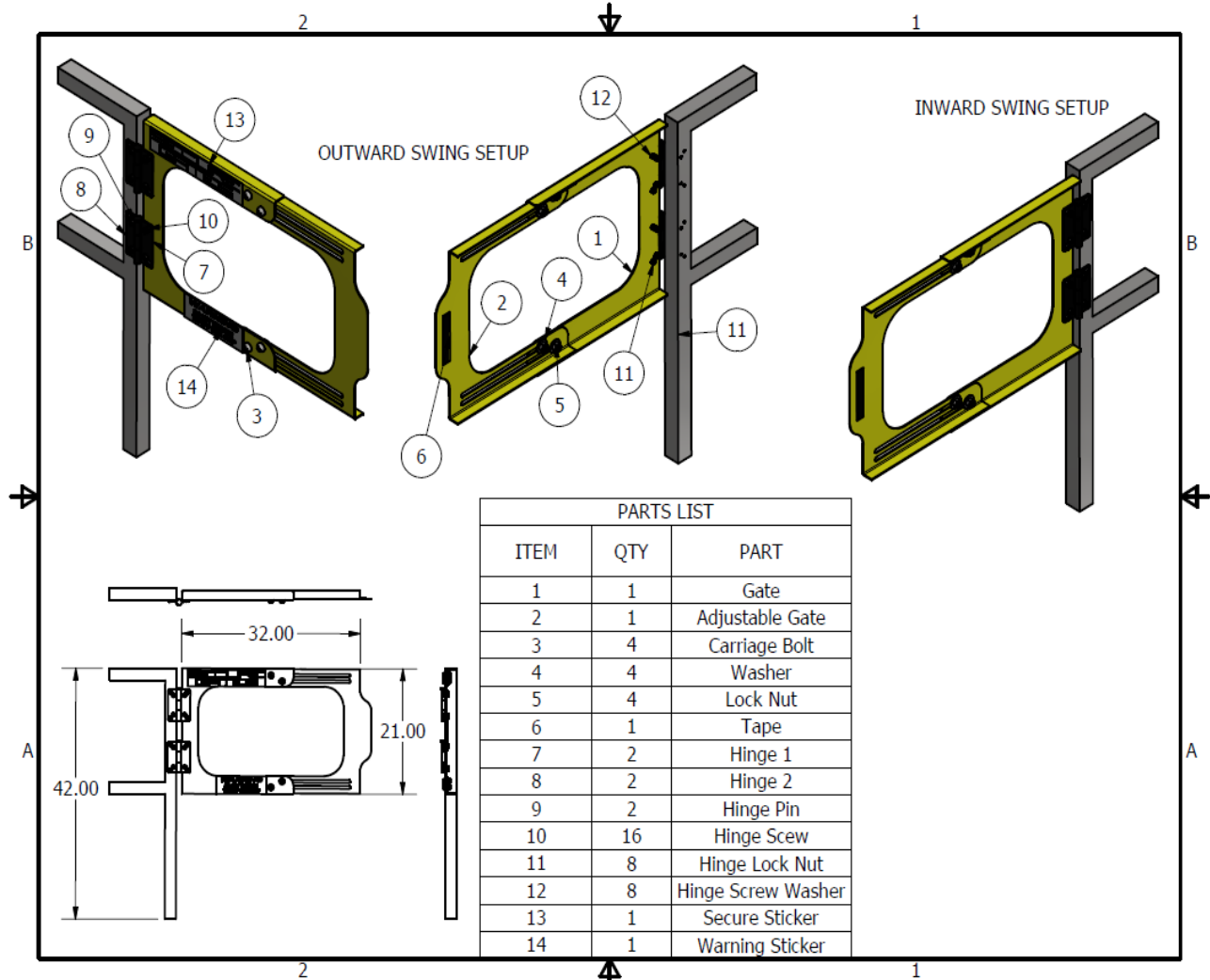
4) Instructions of Installation

Make sure that the 42" Demisionion is at the right heighth. The midrange 21" mark will automatically match up and be compliant if the 42" height is correct.

Always wanting the tops to line up unless it takes you out of Compliance. Then you must install the top of the gate to 42" above the walking surface. " for Example the one on the left would be a perfect scenerio. The picture on the right would be an existing structure that wouldn't line up.



Parts List



5) Installation and Mounting of Gate Hardware

Selp Tapping TEK Screws is the preferred material and method of choice for mounting Secure Gates. One may also choose to predrill the mounting material and run a solid bolt and nut to fasten the gate hardware. All mounting material besides TEK Screws will need to be purchased by the installer.

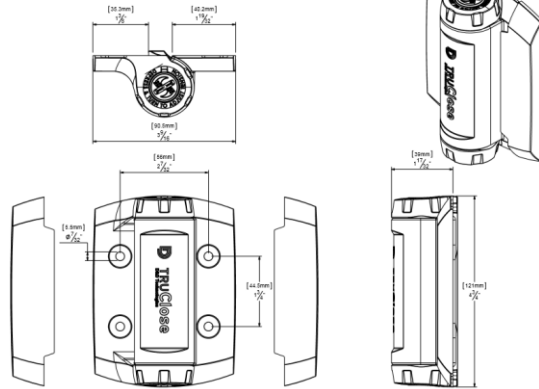
6) Adjust Tension setting for proper closing -there are a total of 5 tension settings

Tighten- Put Flat Head Screw Driver in the top Slot, push down engaging the spring and turn to the left

Loosen- Put Flat Head Screw Driver in the top Slot, push down engaging the spring and turn to the right

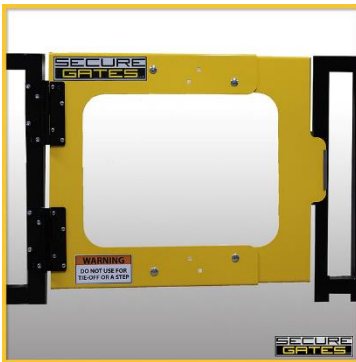


TRUCLOSE SERIES 3 - HEAVY DUTY - STANDARD - TCHD1A53BT

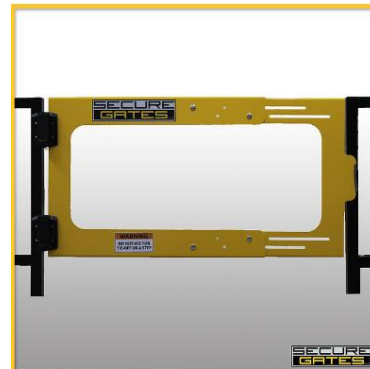


7) Secure Gate decal placement – Decals go on after the gate is installed

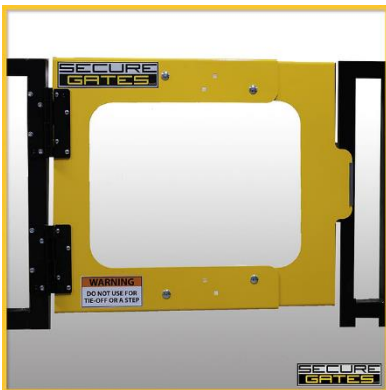
**Small and Medium (Secure Gate) Decal Placement
Top Left Corner**



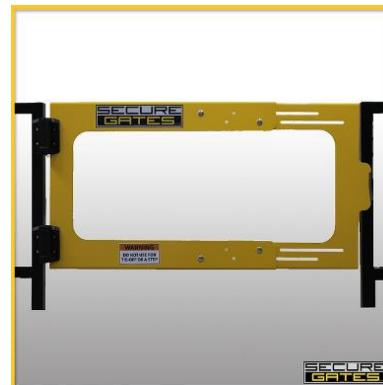
**Large (Secure Gate) Decal Placement
Centered Top Left Corner**



8) Do Not Step Decal Placement
Bottom Left Corner



Bottom Top Left Corner



9) Final Adjustment for gate Opening

Once the gate has been mounted and is ready for final adjustment it is very simple to finish the sizing. Just by loosening 4 carriage the gate will easily slide for final sizing and a perfect fit.



10) Bumper Pad Tape

Once the gate has been adjusted to fit the opening perfectly now we want to make sure we apply the bumper pad in the right place. Check and see where the gate is making contact with the frame work. Peel the back off of the tape and apply.



Your installation is now complete!